

PHB42W Series

● **Key Features**

- Small Size
- Smooth Movement
- Low Inertia

● **Option**



Step Angle	0.9°
Step Angle Accuracy	±5% (full step, no load)
Resistance Accuracy	±10%
Inductance Accuracy	±20%
Temperature Rise	80 °C Max. (rated current, 2 phase on)
Ambient Temperature	-20 °C ~ +50 °C
Insulation Resistance	100 MΩ Min., 500VDC
Dielectric Strength	500 VAC for one minute
Shaft Radial Play	0.02 Max. (450 g-load)
Shaft Axial Play	0.08 Max. (450 g-load)

● **Specifications**

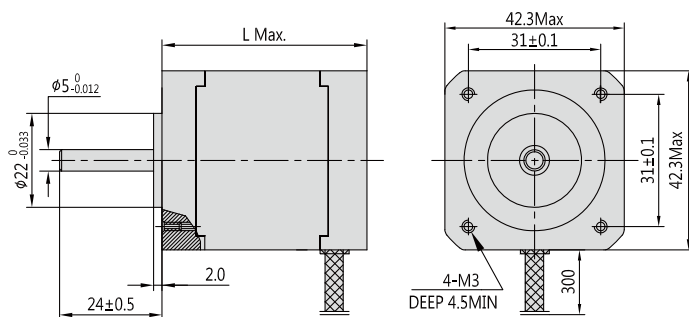
▪ Bi-polar

Series & Length	Model Number	Holding Torque		Rated Current	Resistance per phase	Inductance per phase	Detent Torque		Rotor Inertia	
		N.cm	oz-in	A	ohm	mH	N.cm	oz-in	g.cm ²	oz-in ²
PHB42W21 21mm	PHB42W21-403	8	11.2	0.3	25	36	0.7	0.98	15	0.083
PHB42W28 28mm	PHB42W28-406	10	14	0.6	9	9	0.9	1.26	20	0.110
PHB42W34 34mm	PHB42W34-401	24	33.6	1.3	2.4	3.6	1.2	1.68	34	0.187
	PHB42W34-402	24	33.6	1.7	1.2	2.2	1.2	1.68	34	0.187
	PHB42W34-430	24	33.6	0.4	30	45	1.2	1.68	34	0.187
PHB42W40 40mm	PHB42W40-401	36	50.4	1.3	2.5	6.2	1.8	2.52	54	0.297
	PHB42W40-402	36	50.4	1.7	1.5	3.8	1.8	2.52	54	0.297
PHB42W48 48mm	PHB42W48-401	42	58.8	1.3	3.0	7.0	2.2	3.08	68	0.374
	PHB42W48-402	42	58.8	1.7	1.8	4.0	2.2	3.08	68	0.374
	PHB42W48-403	42	58.8	2.3	1.2	2.0	2.2	3.08	68	0.374

▪ Uni-polar

Series & Length	Model Number	Holding Torque		Rated Current	Resistance per phase	Inductance per phase	Detent Torque		Rotor Inertia	
		N.cm	oz-in	A	ohm	mH	N.cm	oz-in	g.cm ²	oz-in ²
PHB42W34 34mm	PHB42W34-630	20	28	0.4	30	22	1.2	1.68	34	0.187
PHB42W40 40mm	PHB42W40-601	26	36.4	1.2	3.2	3.8	1.8	2.52	54	0.297
	PHB42W40-630	26	36.4	0.4	30	34	1.8	2.52	54	0.297
PHB42W48 48mm	PHB42W48-630	27	37.8	0.4	30	28	2.2	3.08	68	0.374

● **Mechanical Dimension**



Series	L	Mass
	mm (in.)	g (lb.)
PHB42W21	21 (0.83)	120 (0.26)
PHB42W28	28 (1.10)	150 (0.33)
PHB42W34	34 (1.34)	220 (0.49)
PHB42W40	40 (1.57)	280 (0.62)
PHB42W48	48 (1.89)	350 (0.77)