

PHB42R Series

● Key Features

- Small Size
- Low Noise
- Low Inertia



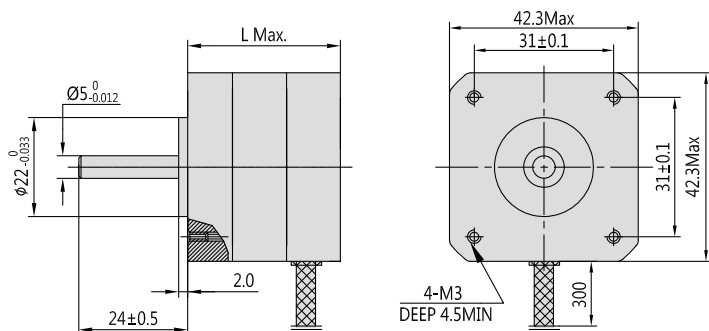
Step Angle	3.75°
Step Angle Accuracy	±5% (full step, no load)
Resistance Accuracy	±10%
Inductance Accuracy	±20%
Temperature Rise	80 °C Max.(rated current, 3 phase on)
Ambient Temperature	-20 °C ~ +50 °C
Insulation Resistance	100 MΩ Min., 500VDC
Dielectric Strength	500 VAC for one minute
Shaft Radial Play	0.02 Max. (450 g-load)
Shaft Axial Play	0.08 Max. (450 g-load)

● Specifications

- 3 Wires

Series & Length	Model Number	Holding Torque		Rated Current	Resistance per phase	Inductance per phase	Detent Torque		Rotor Inertia		# of Leads
		N.cm	oz-in	A	ohm	mH	N.cm	oz-in	g.cm ²	oz-in ²	Pin
PHB42R40 40mm	PHB42R40-315	20	28	1.5	2.5	5.5	2.2	3.08	54	0.297	3
PHB42R48 48mm	PHB42R48-315	30	42	1.5	3.6	7.0	2.6	3.64	68	0.374	3

● Mechanical Dimension



Series	L	Mass
	mm (in.)	g (lb.)
PHB42R40	40 (1.57)	280 (0.62)
PHB42R48	48 (1.89)	350 (0.77)