

PHB42E Series

● Key Features

- Small Size
- High Speed
- Low Inertia

● Option



Step Angle	3.6°
Step Angle Accuracy	±5% (full step, no load)
Resistance Accuracy	±10%
Inductance Accuracy	±20%
Temperature Rise	80 °C Max.(rated current, 2 phase on)
Ambient Temperature	-20 °C ~ +50 °C
Insulation Resistance	100 MΩ Min., 500VDC
Dielectric Strength	500 VAC for one minute
Shaft Radial Play	0.02 Max. (450 g-load)
Shaft Axial Play	0.08 Max. (450 g-load)

● Specifications

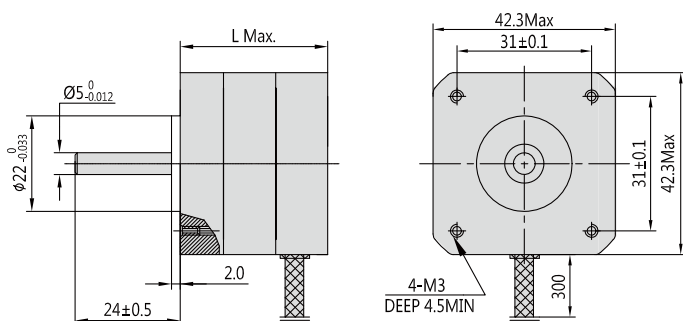
- Bi-polar

Series & Length	Model Number	Holding Torque		Rated Current	Resistance per phase	Inductance per phase	Detent Torque		Rotor Inertia	
		N.cm	oz-in	A	ohm	mH	N.cm	oz-in	g.cm ²	oz-in ²
PHB42E34 34mm	PHB42E34-401	12	16.8	0.52	12	13.5	1.6	1.6	34	0.187

- Uni-polar

Series & Length	Model Number	Holding Torque		Rated Current	Resistance per phase	Inductance per phase	Detent Torque		Rotor Inertia	
		N.cm	oz-in	A	ohm	mH	N.cm	oz-in	g.cm ²	oz-in ²
PHB42E34 34mm	PHB42E34-602	8.5	11.9	0.6	10.5	4.5	1.6	2.24	34	0.187
	PHB42E34-616	8	11.2	0.16	75	28	1.6	2.24	34	0.187
PHB42E40 40mm	PHB42E34-616	9.5	13.3	0.25	45	22	1.6	2.24	54	0.297

● Mechanical Dimension



Series	L	Mass
	mm (in.)	g (lb.)
PHB42E34	34 (1.34)	220 (0.49)
PHB42E40	40 (1.57)	280 (0.62)