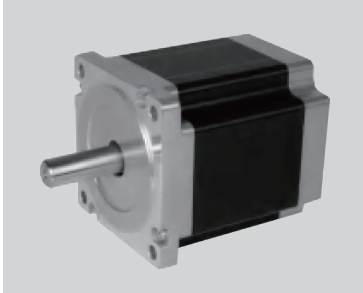


PHB86F Series

● Key Features

- High Acceleration
- High Accuracy
- High Torque



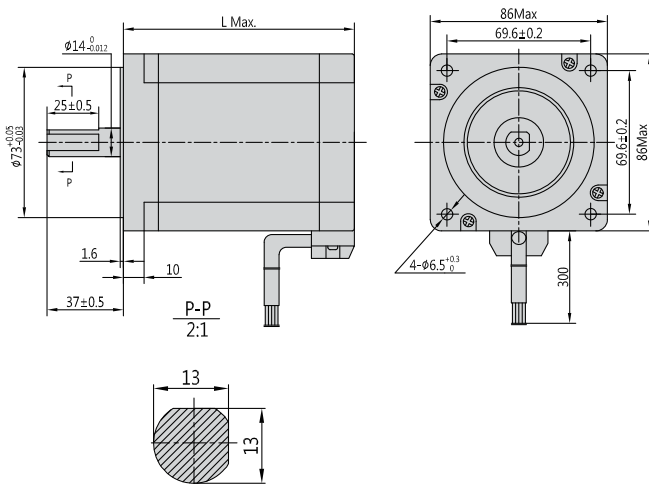
Step Angle	0.72°
Step Angle Accuracy	±5% (full step, no load)
Resistance Accuracy	±10%
Inductance Accuracy	±20%
Temperature Rise	80 °C Max.(rated current,5 phase on)
Ambient Temperature	-20 °C ~ +50 °C
Insulation Resistance	100 MΩ Min., 500VDC
Dielectric Strength	820 VAC for one minute
Shaft Radial Play	0.02 Max. (450 g-load)
Shaft Axial Play	0.08 Max. (450 g-load)

● Specifications

- 5 Wires

Series & Length	Model Number	Holding Torque		Rated Current	Resistance per phase	Inductance per phase	Detent Torque		Rotor Inertia	
		N.cm	oz-in				N.cm	oz-in	Kg.cm ²	oz-in ²
PHB86F66 66mm	PHB86F66-515	1.8	1.8	1.5	1.8	15	1.8	2.52	0.85	4.68
PHB86F78 78mm	PHB86F78-515	2.5	2.5	1.5	2.1	22	2.5	3.50	1.05	5.78
PHB86F98 98mm	PHB86F98-515	4.3	4.3	1.5	2.8	25	4.3	6.02	1.55	8.53
PHB86F114 114mm	PHB86F114-528	5.1	5.1	2.8	0.73	3.8	5.1	7.14	1.8	9.90
PHB86F126 126mm	PHB86F126-528	5.8	5.8	2.8	0.85	4.5	5.8	8.12	2.2	12.1
PHB86F150 150mm	PHB86F150-528	7.5	7.5	2.8	1.0	5.5	7.5	10.5	2.5	13.8

● Mechanical Dimension



Series	L	Mass
	mm (in.)	kg (lb.)
PHB86F66	66 (2.60)	2.0 (4.40)
PHB86F78	78 (3.07)	2.5 (5.50)
PHB86F98	98 (3.86)	3.0 (6.60)
PHB86F114	114 (4.49)	3.5 (7.70)
PHB86F126	126 (4.96)	3.9 (8.58)
PHB86F150	150 (5.91)	4.2 (9.24)

2Phase Hybrid Stepper Motor

3Phase Hybrid Stepper Motor

5Phase Hybrid Stepper Motor

Hybrid Stepper Gear Motor

Lead Screw Linear Actuator

Ball Screw Linear Actuator

IP65 Stepper Motor

Hollow Shaft Stepper Motor

Stepper Motor Wrth Brake

Pancake Stepper Motor

PM Stepper Motor

Can-Stack Stepper Linear Actuator

PM Stepper Gear Motor

Stepper Motor Drive