

PHB39G Series

● Key Features

- Small Size
- Smooth Movement
- Low Noise



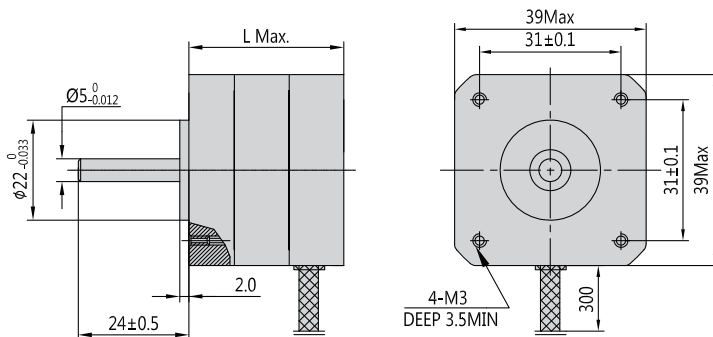
Step Angle	0.36°
Step Angle Accuracy	±5% (full step, no load)
Resistance Accuracy	±10%
Inductance Accuracy	±20%
Temperature Rise	80 °C Max.(rated current, 5 phase on)
Ambient Temperature	-20 °C ~ +50 °C
Insulation Resistance	100 MΩ Min., 500VDC
Dielectric Strength	500 VAC for one minute
Shaft Radial Play	0.02 Max. (450 g-load)
Shaft Axial Play	0.08 Max. (450 g-load)

● Specifications

- 5 Wires

Series & Length	Model Number	Holding Torque		Rated Current	Resistance per phase	Inductance per phase	Detent Torque		Rotor Inertia	
		N.cm	oz-in				N.cm	oz-in	g.cm ²	oz-in ²
PHB39G31 31mm	PHB39G31-508	7.5	10.5	0.75	1.8	1.8	1.2	1.68	14	0.077
PHB39G40 41mm	PHB39G40-508	13.5	18.9	0.75	2.5	2.5	1.6	2.24	25	0.138

● Mechanical Dimension



Series	L	Mass
	mm (in.)	g (lb.)
PHB39G31	31 (1.22)	140 (0.31)
PHB39G40	40 (1.57)	200 (0.44)

- 2Phase Hybrid Stepper Motor
- 3Phase Hybrid Stepper Motor
- 5Phase Hybrid Stepper Motor
- Hybrid Stepper Gear Motor
- Lead Screw Linear Actuator
- Ball Screw Linear Actuator
- IP65 Stepper Motor
- Hollow Shaft Stepper Motor
- Stepper Motor Wrth Brake
- Pancake Stepper Motor
- PM Stepper Motor
- Can-Stack Stepper Linear Actuator
- PM Stepper Gear Motor
- Stepper Motor Drive