

SILENT PILER

The Multi-functional silent piler adopts full hydraulic drive and full automatic control. It has the advantages of no vibratory. By replacing different models or fixtures, it can be applied to various pile types. The maximum pulling force can reach 150Tons.

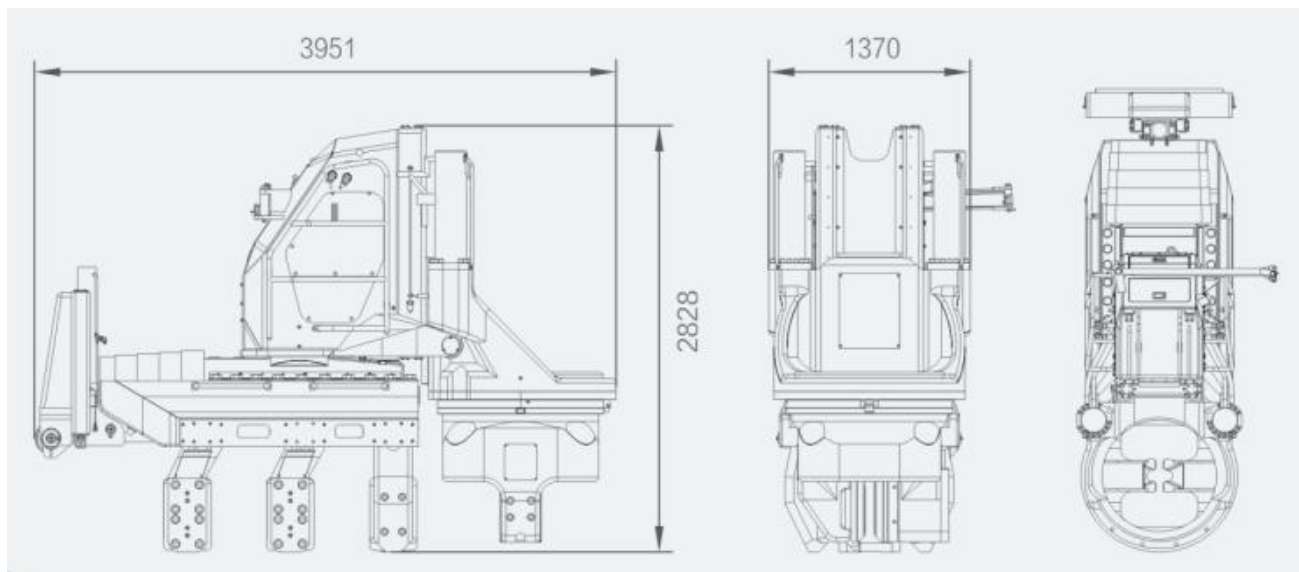
 Silent  Stable  Efficient  Safe



FEATURES:

1. No noise, no vibration, small influence during engineering,
2. Small equipment volume, convenient to transfer to new construction field.
3. It can also add the water knife system and rotary digging system according to the different geological conditions.
4. Available for a wide range of piles such as U Type steel sheet pile, Z Type Steel sheet pile, H Beam, Pipe Pile, PHC pile and so on.
5. Precise design, reliable performance.



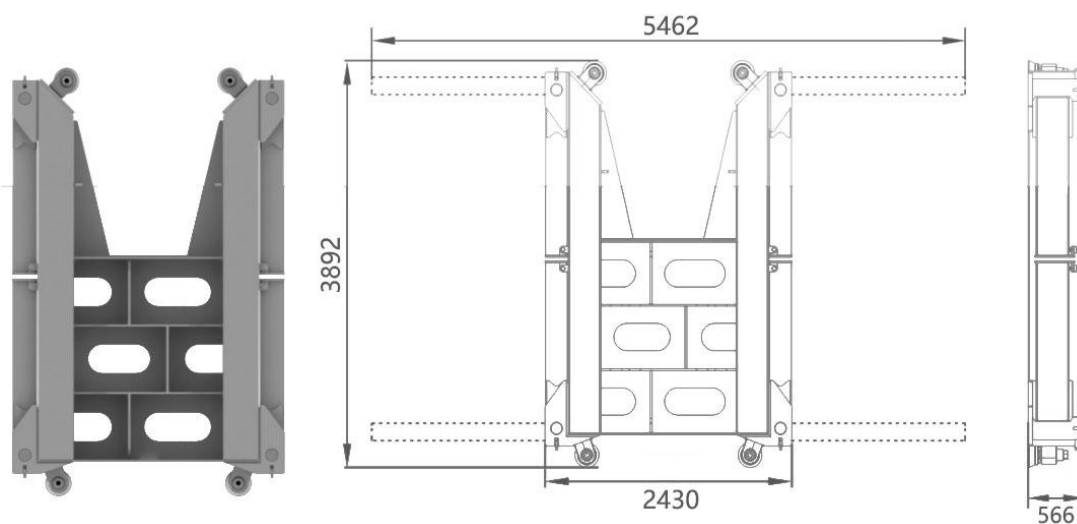


700Y SPECIFICATION

LxWxH (Excluding base)	mm	3951x1370x2828
Weight (Excluding base)	kg	16100
LxWxH of Counterforce base	mm	3892x2430x566
Weight of Counterforce base	kg	3710
Max pile driving force	T	150
Max pulling force	T	160
Applicable pile type	U750 Series, Z700 Series	



700Y Base parameter:



NOTE!

- ! Preliminary selection. When making the final selection soil and site conditions shall be taken into account.
- ! Specifications are subject to change without notice.