

SILENT PILER

The Multi-functional silent piler adopts full hydraulic drive and full automatic control. It has the advantages of no vibratory. By replacing different models or fixtures, it can be applied to various pile types. The maximum pulling force can reach 150Tons.

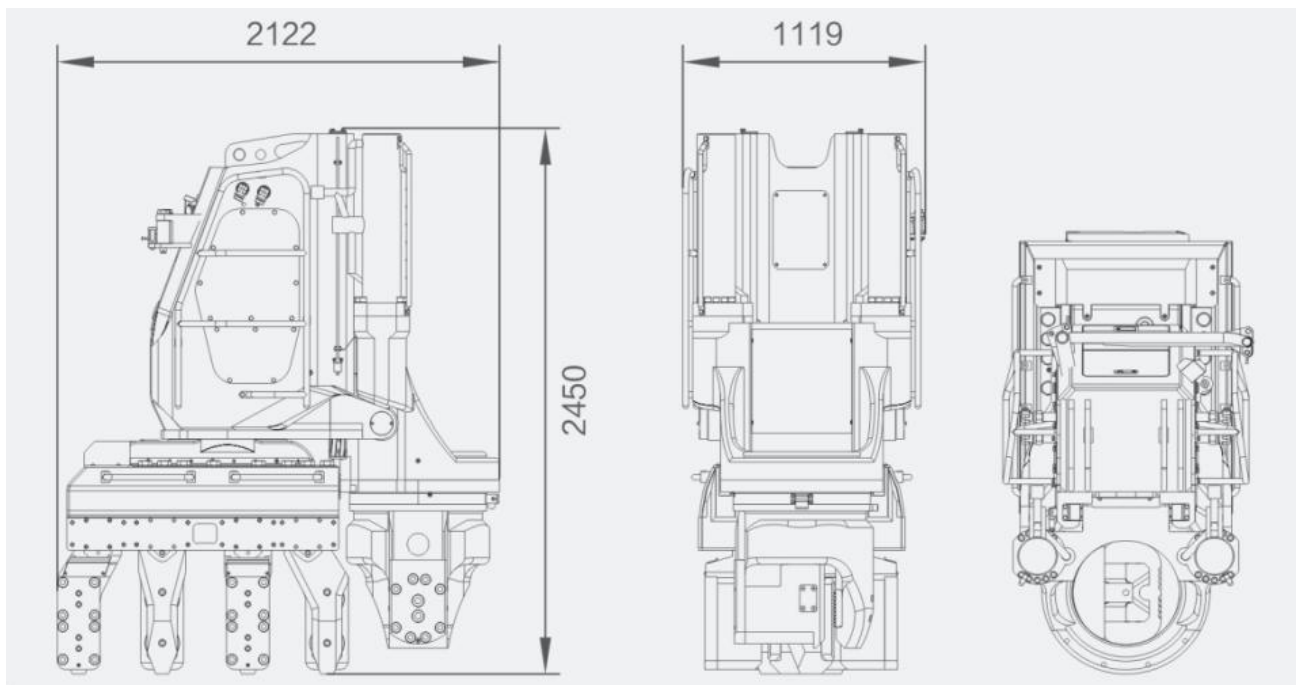
 Silent  Stable  Efficient  Safe



FEATURES:

1. No noise, no vibration, small influence during engineering,
2. Small equipment volume, convenient to transfer to new construction field.
3. It can also add the water knife system and rotary digging system according to the different geological conditions.
4. Available for a wide range of piles such as U Type steel sheet pile, Z Type Steel sheet pile, H Beam, Pipe Pile, PHC pile and so on.
5. Precise design, reliable performance.



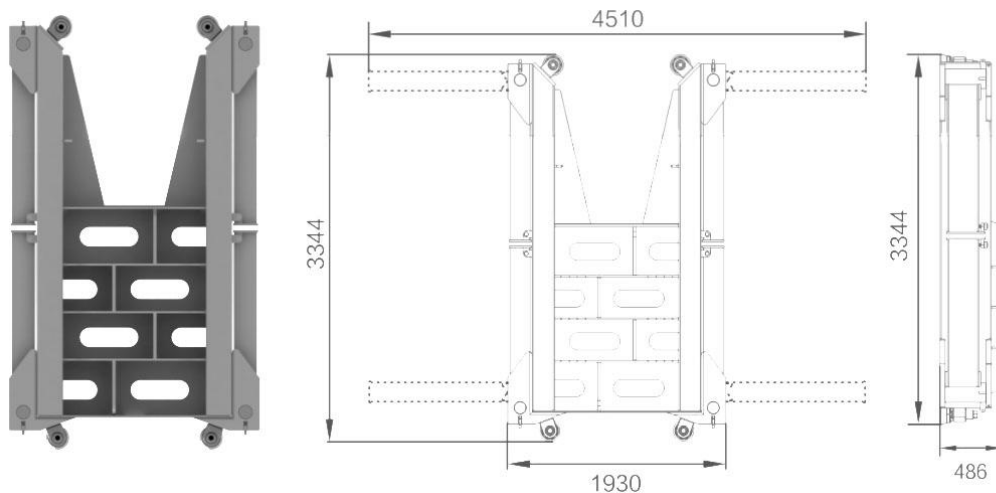


400Y SPECIFICATION

LxWxH (Excluding base)	mm	2122x1119x2450
Weight (Excluding base)	kg	7500
LxWxH of Counterforce base	mm	3344x1930x486
Weight of Counterforce base	kg	2760
Max pile driving force	T	100
Max pulling force	T	110
Applicable pile type	U400X150, U400X170	



400Y Base parameter:



NOTE!

- ! Preliminary selection. When making the final selection soil and site conditions shall be taken into account.
- ! Specifications are subject to change without notice.