

PNP SILICON POWER TRANSISTORS MJE2955T

●DESCRIPTION:

The MJE2955T is an PNP transistor, which is complementary to MJE3055T and is used in audio power amplification and power conversion circuits.

Package form: TO-220



●ABSOLUTE MAXIMUM RATINGS

Symbol	Parameter	Value	Unit
V_{CBO}	Collector-Base Voltage	-70	V
V_{CEO}	Collector-Emitter Voltage	-60	V
V_{EBO}	Emitter-Base Voltage	-5	V
I_C	Continuous Collector Current	-10	A
P_{TOT}	Total dissipation at $T_{case}=25\text{ }^{\circ}\text{C}$	75	W
T_j	Junction Temperature	150	$^{\circ}\text{C}$
T_{stg}	Storage Temperature Range	-55-150	$^{\circ}\text{C}$

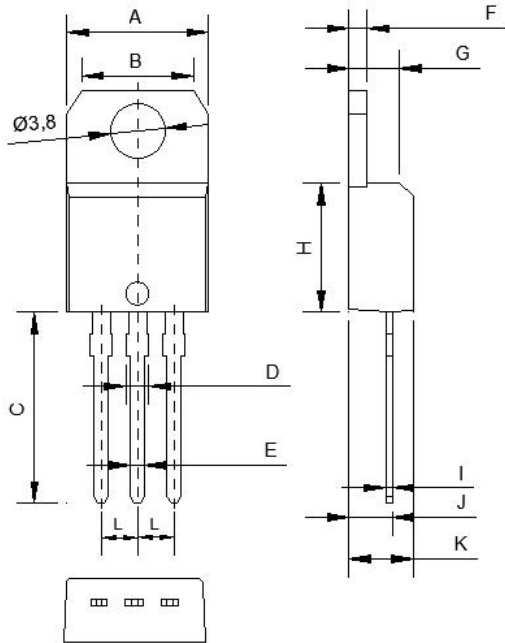
●ELECTRICAL CHARACTERISTICS ($T_C = 25^{\circ}\text{C}$, unless otherwise specified)

Symbol	Parameter	Test Condition	Value			Unit
			Min	Type	Max	
V_{CBO}	Collector-Base Breakdown Voltage	$I_C = -10\text{mA}$	-70			V
V_{CEO}	Collector-Emitter Breakdown Voltage	$I_C = -200\text{mA}$	-60			V
V_{EBO}	Emitter-Base Breakdown Voltage	$I_E = -10\text{mA}$	-5			V
I_{CBO}	Collector Cutoff Current	$V_{CB} = -70\text{V}$			1	mA
I_{EBO}	Emitter Cutoff Current	$V_{EB} = -5\text{V}$			5	mA
h_{FE}	DC Current Gain	$I_C = -4\text{A}, V_{CE} = -4\text{V}$	20		100	
$V_{CE(sat)}$	Collector-Base Breakdown Voltage	$I_C = -4\text{A}, I_B = -0.4\text{A}$			-1.1	V
$V_{BE(sat)}$	Base-Emitter Saturation Voltage	$I_C = -4\text{A}, I_B = -4\text{A}$			-1.8	V
f_T	Transition Frequency	$V_{CE} = 10\text{V}, I_C = 0.5\text{A}, f = 1\text{MHZ}$	2			MHZ

a: Pulse Test, $t_p \leq 300\mu\text{s}$, $\delta \leq 2\%$

● PACKAGE MECHANICAL DATA

TO-220



Symbol	Millimeters		Inches	
	Min	Max	Min	Max
A	9.80	10.00	0.386	0.394
B	7.70	7.90	0.303	0.311
C	13.15	13.55	0.518	0.533
D	1.51	1.61	0.059	0.063
E	0.96	1.00	0.038	0.039
F	1.20	1.30	0.047	0.051
G	3.40	3.60	0.134	0.142
H	8.80	9.10	0.346	0.358
I	0.42	0.48	0.017	0.019
J	2.80	3.10	0.110	0.122
K	4.20	4.70	0.165	0.185
L	2.50	2.60	0.098	0.102

● ELECTRICAL CHARACTERISTICS (CURVES)

Figure 1. Active-Region Safe Operating Area

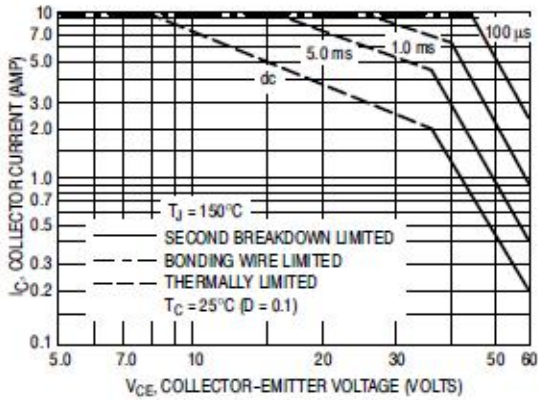


Figure 2. DC Current Gain

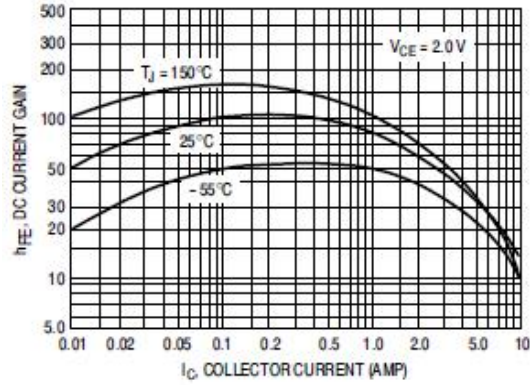


Figure 3. Power Derating

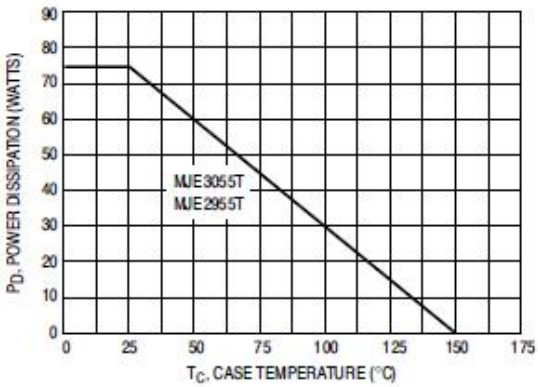


Figure 4. "On" Voltages

