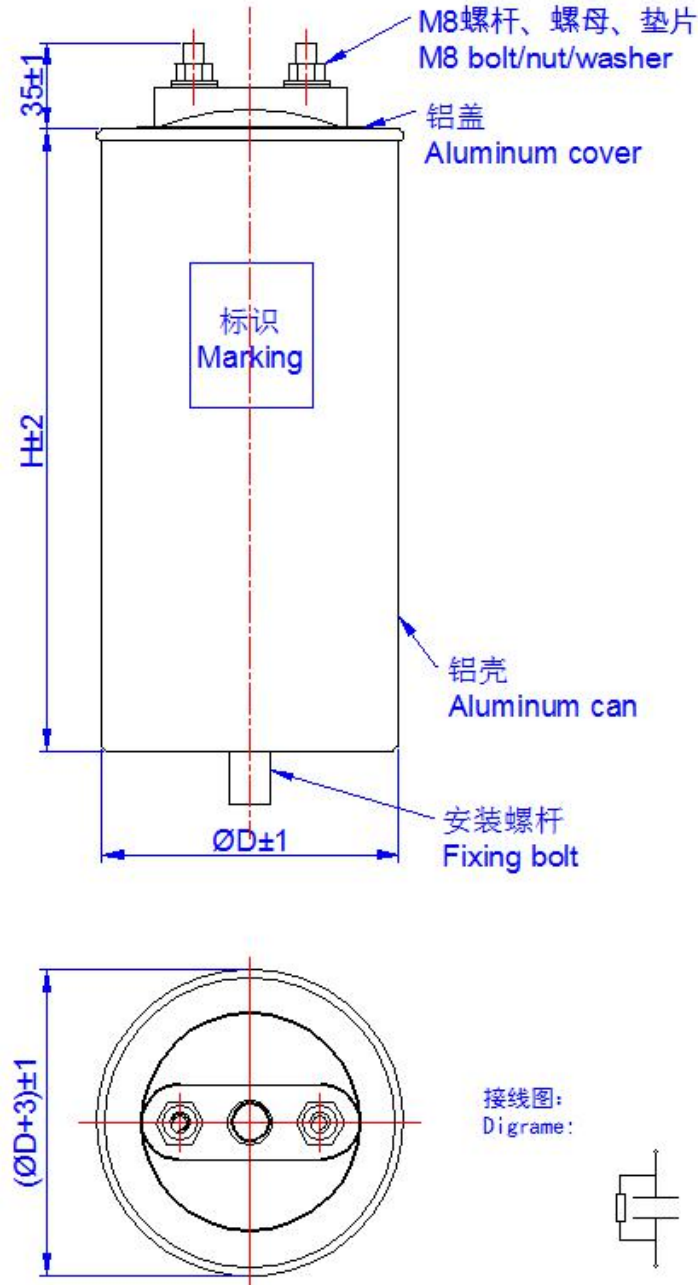


交流滤波电容器----油式圆柱形铝壳

AC filter capacitor ---- Cylinder aluminum can, oil type

◆ 外形图 Outline Drawing



◆ 特点

- ※ 适用于电力电子设备、UPS 电源中的交流滤波电路，能承受较高的谐波电流及峰值电流、电压
- ※ 过压安全保护装置
- ※ 优良的自愈功能
- ※ 高稳定性，可靠性

◆ Features

- ※ Particularly suit for AC filter circuit in power electric equipment and UPS power unit. Can withstand high Harmonic current, peak current and peak voltage
- ※ Over-pressure safety protection device
- ※ Excellent self-healing property
- ※ High stability and reliability

◆ 技术要求 Technical specification

引用标准 Reference Standard	GB/T 17702, IEC 61071
气候类别 Climatic Category	-40/70/56
工作温度 Operating Temperature	-40~85℃
储存温度 Storage Temperature	-40~85℃
电压范围 Rated Voltage (U_{rms})	330Vac
容量范围 Capacitance Range	200 μ F / 500 μ F
容量偏差 Capacitance Tolerance	$\pm 5\%$
极间电压 Test Voltage Between T-T	$2.15U_{rms}$ or $1.5U_N$ (50/60Hz, 10s, $20\pm 5^\circ\text{C}$)
极壳电压 Test Voltage Between T-C	4kVac or $\sqrt{2}U_n+1\text{kVac}$ which is higher (50/60Hz, 10s, $20\pm 5^\circ\text{C}$)
介质损耗正切 $\text{tg}\delta$	2×10^{-4} (100Hz, $20\pm 5^\circ\text{C}$)
预期寿命 Expected lifetime	$\Delta C/C\% \leq \pm 5\%$ after 100,000h @ $0.8U_{rms}$, $\theta_{hs} \leq 70^\circ\text{C}$
填充料 Filling material	Oil (NON PCB)
冷却方式 Cooling	Naturally air-cooled or forced cooling
最高使用海拔 Max. Altitude during operation	2000m
最大电极扭矩 Max. Torque of terminals	4Nm (M8)
最大安装扭矩 Max. Torque of installation	10Nm (M12)

型号 Type	C_N (μ F)	U_{rms} (Vac)	R_s (m Ω)	R_{th} (K/W)	L_s (nH)	I_{max} (A)	\hat{I} (kA)	I_s (kA)	D*H (mm)
BKMJ0.33-200 μ F-1	200	330	2.0	4.8	140	47	3.2	9.6	$\Phi 76*170$
BKMJ0.33-500 μ F-1	500	330	1.7	4.4	160	86	4.6	13.8	$\Phi 86*270$

备注：特殊规格可按照客户要求设计。

Remark: Special designation upon customer's request. •