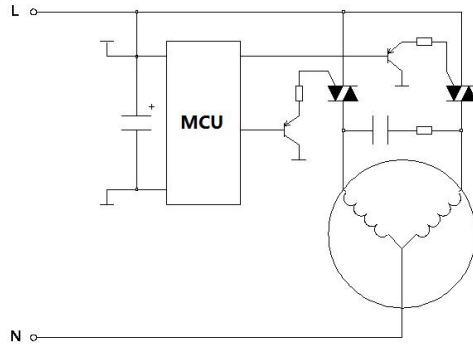


Triac: 3Q YZPST0835-8F (8A, 800V, 150°C)

Applications



Washing machine



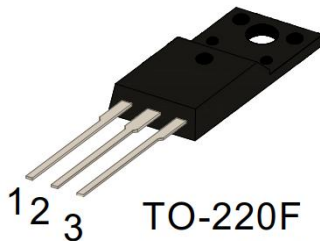
Key features and benefits

- Voltage ruggedness and reliability
- Latest generation 3Q technology for improved noise immunity
- High commutation capability with maximum false trigger immunity and very high immunity to false turn-on by dV/dt
- Snubber less in washing machine application
- High junction operating temperature capability (150° C)
- High current capability

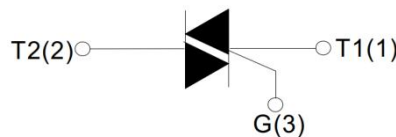
Key parameters

Parameters	Value
ITRMS	8A
VDRM	800V
IGT	10~35mA
ITSM	80A
Tjmax	150 ° C

Packages



TO-220F
Insulated



Cross reference

YZPST	NXP	ST	Renesas
YZPST0835-8F	BTA308X-800C0 BTA208X-1000C0 ACTT8-800C0	T830xx T835xx	BCR8xx

Triac: YZPST40/F40 3Q/4Q 40A, 800~1600V, 150°C

Applications



Power tools



SSR



Water heater



Room heater



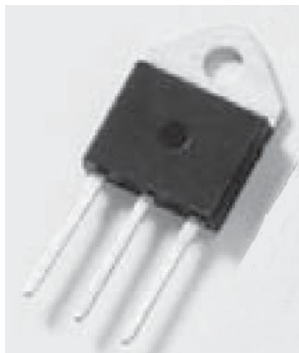
Vacuum cleaner



Copier

Packages

Internally Insulated TOP3



Key features and benefits

- Voltage ruggedness and reliability
- Latest generation 3Q technology for improved noise immunity
- High commutation capability with maximum false trigger immunity and very high immunity to false turn-on by dV/dt
- High junction operating temperature capability (**150° C**)
- Less sensitive gate for high noise immunity
- Very high current capability

Key parameters

Parameters	Value
ITRMS	40A
VDRM	800V, 1000V, 1200V, 1600V
IGT	10~50mA
ITSM	500A
Tjmax	150 ° C

Cross reference

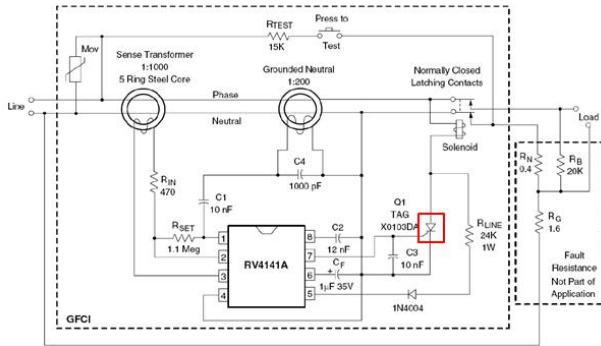
YZPST	NXP	ST	Littelfuse	Renesas
BTA41/BTB41 PST40/PSF40	BTA440L- 800BT	BTA41xx BTB41xx TPDVxx40	Qxx40xx	BCR40

SCR: YZPST SP8/01/02 series, 0.8A~2A 800V/1000V TO92, SOT223, SOT89

Applications



GFCI



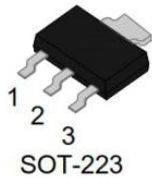
Key features and benefits

- Voltage ruggedness and reliability
- Latest generation SCR technology for improved noise immunity
- High commutation capability with maximum false trigger immunity and very high immunity to false turn-on by dV/dt
- Surface Mountable Package**
- 1000V maximum voltage**

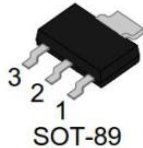
Key parameters

Parameters	Value
ITRMS	0.8A~2A
Voltage/VDRM	800V/1000V
IGT	0~200uA
Target ITSM	8A~18A
Tjmax	110 ° C

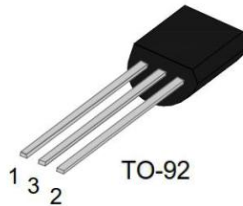
Packages



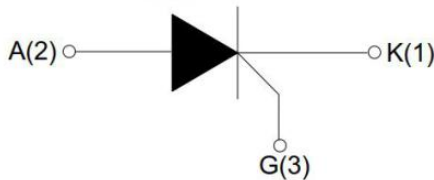
SOT-223



SOT-89



TO-92



Cross reference

YZPST	NXP	Renesas	ON	JJM
PSTSP8/PSTS01/PS TS02 MCR100	NCR100-8L BT169	CR02, CR03	MCR100- 8I	MCR100- 8

Triac: 3Q PST08 12 16 Series (8A, 12A, 16A 800V, 150°C)

Applications



Small Home Appliances

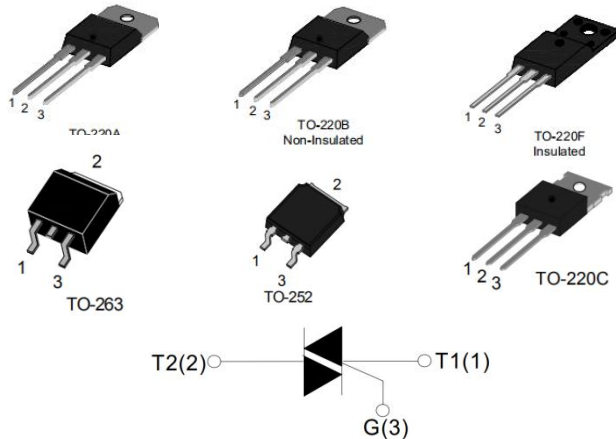
Key features and benefits

- Voltage ruggedness and reliability
- Latest generation 3Q technology for improved noise immunity
- High commutation capability with maximum false trigger immunity and very high immunity to false turn-on by dV/dt
- Snubber less in washing machine application
- High junction operating temperature capability (**150° C**)
- High current capability

Key parameters

Parameters	Value
ITRMS	8A
VDRM	800V
IGT	10~35mA
ITSM	80A 120A 160A
Tjmax	150 ° C

Packages

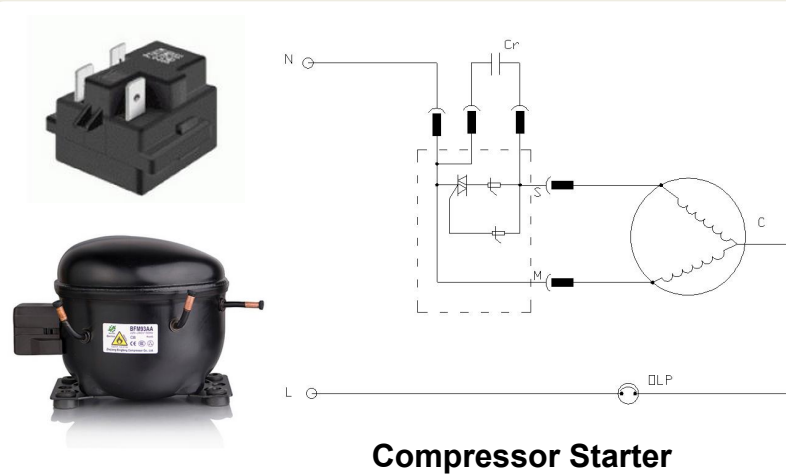


Cross reference

YZPST	NXP	ST	Renesas
PST08 PST12 PST16	BTA308 BT312 BTA316 BTA416 BTA208 ACTT8 ACTT12 ACTT16	T8xxT T8xxH T12xxT T12xxH T16xxT T16xxH ACST08 ACST12 ACST16	BCR8xx BCR12xx BCR1xx

Triac: BT137/BT138 (3Q/4Q, 8A 12A, 800V, 125°C)

Applications



Key features and benefits

- Voltage ruggedness and reliability
- Optimized 4Q technology for improved noise immunity
- High commutation capability with maximum false trigger immunity and very high immunity to false turn-on by dV/dt
- 10mA low IGT limit to ensure compressor starter cutting off within 2s.
- Ultra Low standing by power lossing

Key parameters

Parameters	Value
ITRMS	8A
VDRM	600V/800V
IGT	10~50mA
ITSM	80A/120A
Tjmax	125 ° C

Packages



Cross reference

YZPST	NXP	ST
BT137/BT138	BT137-600G0/BT138-600G0	T835T-6I/T1235T-6I