

## C56 DC support/coupling, filter capacitor

### YZPST-C56112107JFM6-02

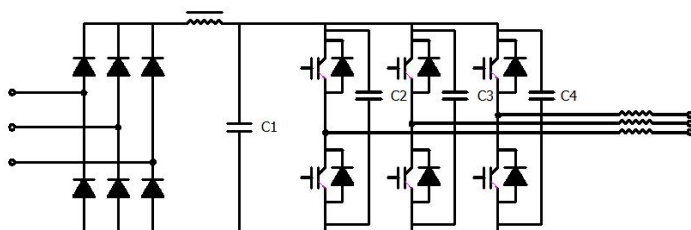
#### 产品特点. Characteristics

- 聚丙烯膜介质;
  - 塑料外壳封装, 干式环氧树脂灌注;
  - 铜螺母/螺杆引出, 容量大、体积小、安装方便;
  - 高纹波电流, 高 dV/dt 承受能力;
  - 耐压高, 具有自愈性。
- Polypropylene film dielectric
  - Plastic shell packaging, dry resin perfusion
  - Copper nut /screw elicited, Large capacity, small size, Easy installation.
  - High ripple current, high dV/dt withstand capacity
  - Esistance to high voltage,with self-healing.

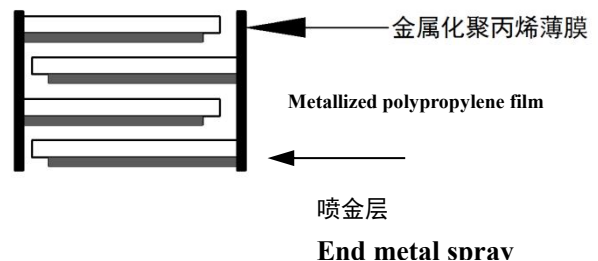
#### 产品应用. Application

- 广泛应用于 DC-Link 电路中, 作滤波储能用。
- 能代替电解电容, 性能更优, 寿命更长。
- 光伏逆变器, 风电变流器; 各种变频器及逆变电源; 纯电动及混合动力汽车; SVG,SVC 等各类电能质量管理设备。
- Widely used in of DC-link circuit for energy storage.
- Can replace electrolytic capacitors, better performance and longer life.
- PV inverter, wind power converter, All kinds of frequency converter and inverter power supply;
- Pure electric and hybrid cars; SVG, SVC devices and other kinds of power quality management.

#### 典型线路图. Typical Circuit



#### 结构图. Construction



三相变频器的主电路图中 **C1** 为 C56 直流支撑电容器

C1 stands for the AC Support Capacitor C56 in the main circuit diagram of three-phase inverter



®

Tel: +86-514-87782298, 87782296

E-mail: [positioning@china.com](mailto:positioning@china.com);

Web Site: [www.Pst888.com](http://www.Pst888.com)

FAX: +86-514-87782297, 87367519

[info@yzpst.com](mailto:info@yzpst.com);

[www.yzpstcc.com](http://www.yzpstcc.com)

[yzpst@pst888.com](mailto:yzpst@pst888.com)

[www.yzpst.net](http://www.yzpst.net)

[www.yzpst.com](http://www.yzpst.com)

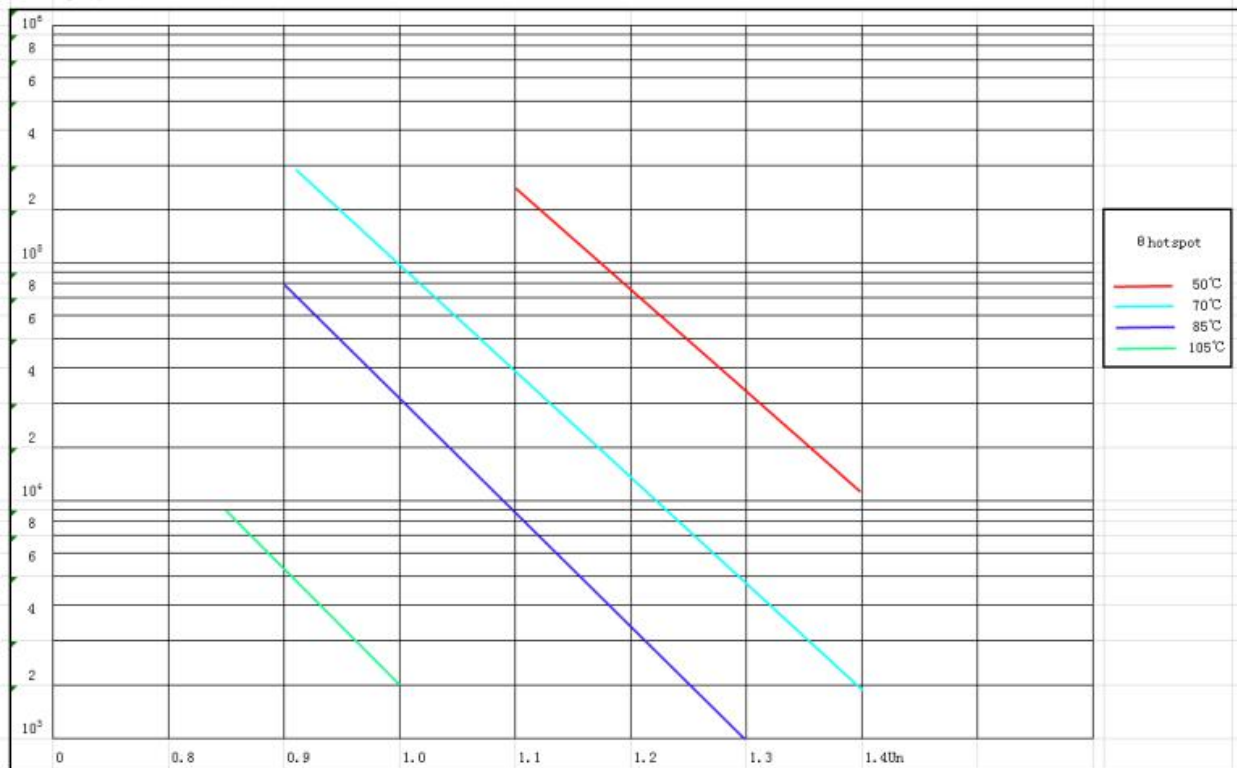
## 性能参数. Technical Data

引用标准/Reference Standards	GB/T 17702 IEC 61071
工作温度范围/Operating Temperature Range	-40℃~+85℃, Top max:+105℃
容量范围/Capacitance Range	150μF
额定电压/Rated Voltage	700VDC
容量偏差/ Capacity Tolerance	±5%(J); ±10%(K)
极间耐电压/Test Voltage between electrodes	1.5U <sub>N</sub> (DC) 60S 20℃
极壳耐电压/Test Voltage between electrode and case	1000+2×U <sub>N</sub> /√2(VAC) 50Hz 60S (min 3000VAC)
损耗角正切/Dissipation Factor	tgδ≤2×10 <sup>-3</sup> at 20℃ 100Hz
绝缘电阻/Insulation Resistance	C·R≥5000S, at 20℃ 100VDC <b>60S</b>
预期寿命/Life Expectancy	<b>100000hrs ( U<sub>N</sub> θ<sub>hotspot</sub> ≤ 70℃)</b>

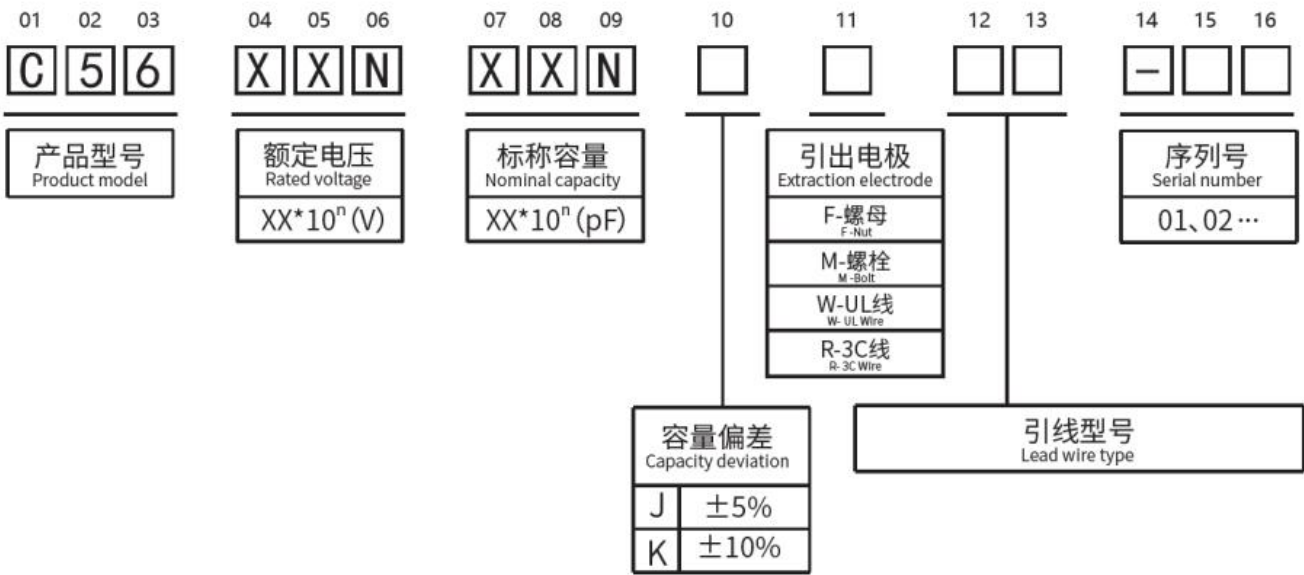
**过压运行/ Overvoltage Operation**

1.1×U <sub>N</sub>	30% of on-load-dur.
1.15×U <sub>N</sub>	30 min/day
1.2×U <sub>N</sub>	5 min/day
1.3×U <sub>N</sub>	1min/day
1.5×U <sub>N</sub>	100ms every time, no more than 1000 times during the lifetime

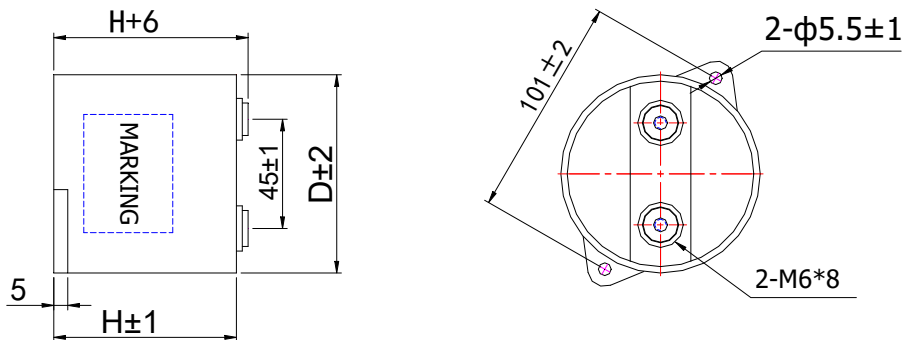
## 预期寿命曲线 Lifetime curve



产品编码 Product Coding



产品外形及参考尺寸 Product Shape and Reference Size



MARKING

C56112107JFM6-02  
100μF±5% 1100VDC  
DATE CODE

参数表/ Article Table

Part Number	CAP μF	Dimension (mm)		dv/dt (V/μs)	Ipeak (A)	Irms @100KHz50°C (A)	ESL (nH)	ESR @10KHz20°C (mΩ)	Output
		H	D						
YZPST-C56112107JFM6-02	100	65	85	35	3500	70	<40	1.3	M6