

ZP11000A200-400V Welding Diode

Features:

- High density current
- High surge current
- Both side cooling

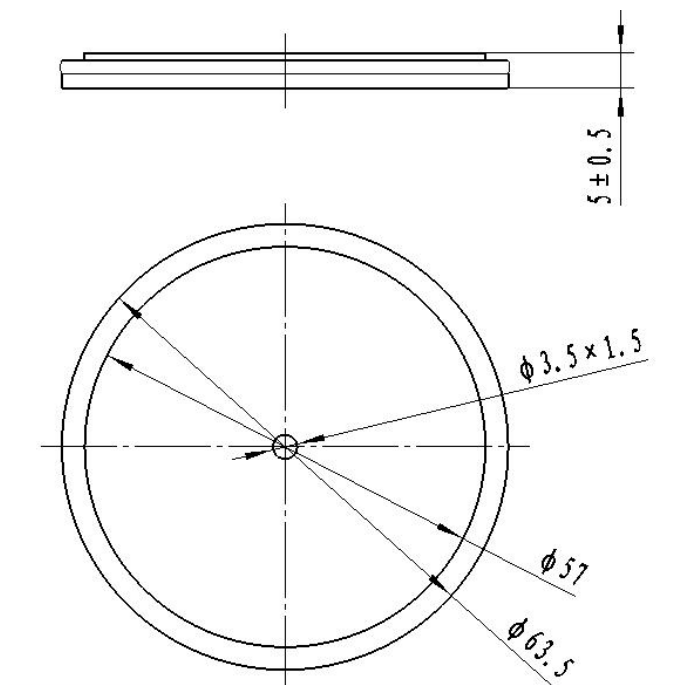
Typical applications:

- Welding machine
- Electric chemistry

Datasheet :

Sym.	Condition	Value	Units
$V_{RRM}$	$V_{RSM} = V_{RRM} + 50V$	200-400	V
$I_{RRM}$	25°C, $V_{RM} = V_{RRM}$	5(max)	mA
$I_{RRM}$	175°C, $V_{RM} = V_{RRM}$	30(max)	mA
$I_{F(AV)}$	180° ,half sine wave, 50Hz	11000	A
$V_{FM}$	25°C, $I_{FM} = 6000A, F = 20kN$	1.12	V
$T_{jm}$		175	°C
$T_{stg}$		-40~175	°C
F		35-40	KN

Outline:



®

Tel: +86-514-87782298, 87782296      FAX: +86-514-87782297, 87367519  
 E-mail : [positioning@china.com](mailto:positioning@china.com); [yzforever@vip.tom.com](mailto:yzforever@vip.tom.com); [yzpst@pst888.com](mailto:yzpst@pst888.com)  
 WEB SITE: <http://www.pst888.com>    [www.yzpst.cc](http://www.yzpst.cc)