



YANGZHOU POSITIONING TECH. CO., LTD

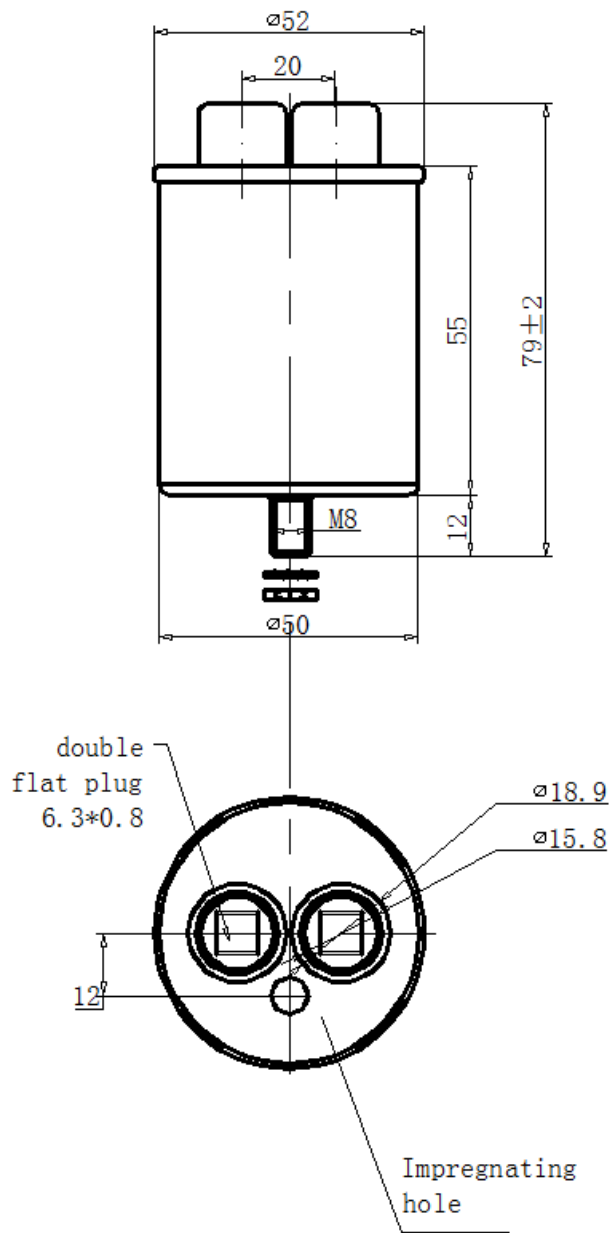
Damping and absorption capacitor technical index

Part no. YZPST-2.4kvdc-0.15UF

Standard	IEC 61071-2017
Rated Voltage	2.4kVDC
Rated capacity	0.15μF
Capacity Tolerance within	±5%
Ambient temperature:	
Min. running temp. T_{min}	-40°C
Max. running temp. T_{max}	+85°C
Relative humidity	≤95%
Altitude	≤1000m
Storage temperature	-25~60°C
Test Item:	
AC Testing Voltage V_{TT}	AC $1.5 \times U_N$ or DC $2.15 \times U_N$, 10s
Voltage between terminal and housing V_{TC}	$2 \times U_i + 1000V$, 10s ($U_i = U_N / \sqrt{2}$)
Insulation resistance R_{ins}	
Discharge time τ ($R_{ins} \times C$)	$\leq 1\mu F : \geq 3000M\Omega$ $> 1\mu F : \geq 3000s$
Loss angle $\tan\delta$ (1kHz)	≤0.0009
Sealing test	75°C ±5°C at constant temperature, 4 hours
Discharge test between terminals	without leakage 1.1 U_N voltage, 10mins bear 5 times DC charging and discharging in polarity, Without breakdown and capacitance loss.



Tel: +86-514-87782298, 87782296 FAX: +86-514-87782297, 87367519
 E-mail: positioning@china.com; info@yzpst.com; info@stt.tm; info@goldstar.tm
 Web Site: www.yzpst.com www.stt.tm www.goldstar.tm www.Pst888.com
www.positioning.en.alibaba.com www.pst.manufacturer.globalsources.com



®

Tel: +86-514-87782298, 87782296 FAX: +86-514-87782297, 87367519

E-mail: positioning@china.com; info@yzpst.com; info@stt.tm; info@goldstar.tm

Web Site: www.yzpst.com www.stt.tm www.goldstar.tm www.Pst888.com

www.positioning.en.alibaba.com www.pst.manufacturer.globalsources.com