

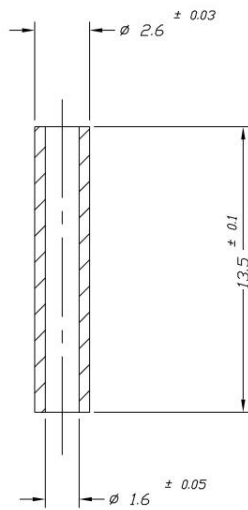
铁镍管

Ni-Fe alloy tubes for stud cap and ceramic housing are the older products out of our production. YZPST has been in this business, of supplying them for diodes and SCR (thyristors) in glass to metal sealed caps, ceramic to metal sealed cap and housing

g

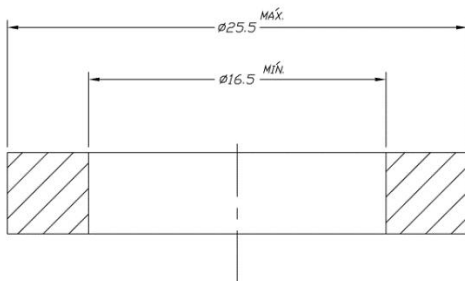
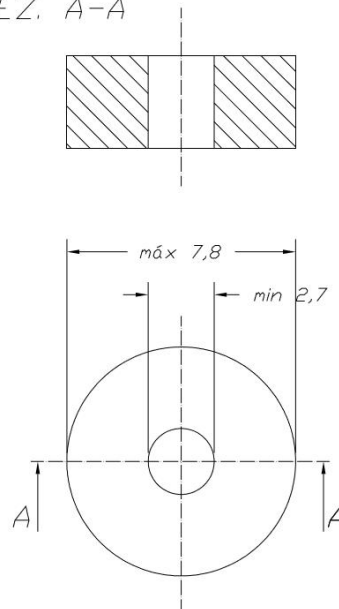
for more than 32 years.

YZPST has produced several thousands different size for customers all over the world.



GAL. Ni ELECTROLESS 3..5  $\mu$ m

SEZ. A-A



SEM REBARBAS



®

Tel: +86-514-87782298, 87782296

E-mail: [positioning@china.com](mailto:positioning@china.com);

Web Site: [www.Pst888.com](http://www.Pst888.com)

FAX: +86-514-87782297, 87367519

[info@yzpst.com](mailto:info@yzpst.com);

[yzpst@pst888.com](mailto:yzpst@pst888.com)

[www.yzpstcc.com](http://www.yzpstcc.com)

[www.yzpst.net](http://www.yzpst.net)

[www.yzpst.com](http://www.yzpst.com)