

请 承 认 书

SPECIFICATION FOR APPROVAL

客户名称:

CUSTOMER :

客户部件号:

CUSTOMER PART NO.

2.28mH

规格:

DESCRIPTION

TRANSFORMER

部件号

PART NO.

EE16 (STM-426)

发行日期:

ISSUE DATE:

28th.Mar.2011

客 户 认 可 APPROVED SIGNATURE		

认 可 日 期:

APPROVED DATE: _____

Yangzhou Positioning Tech. Co., Ltd



Add: Room 303 Weiheng Building No. 20 B Area Lanyuan Wangyue Rd, Yangzhou

Jiangsu P.R.C 225000

Tel: +86-514-8778 2298, 8778 2296 FAX: +86-514-8778 2297, 8736 7519

E-mail : pst@globalsources.com; positioning@china.com; yzpositioning@gmail.com

yzforever@163.net; pst@pst888.com

YZPST

TRANSFORMER

SPEC. NO.

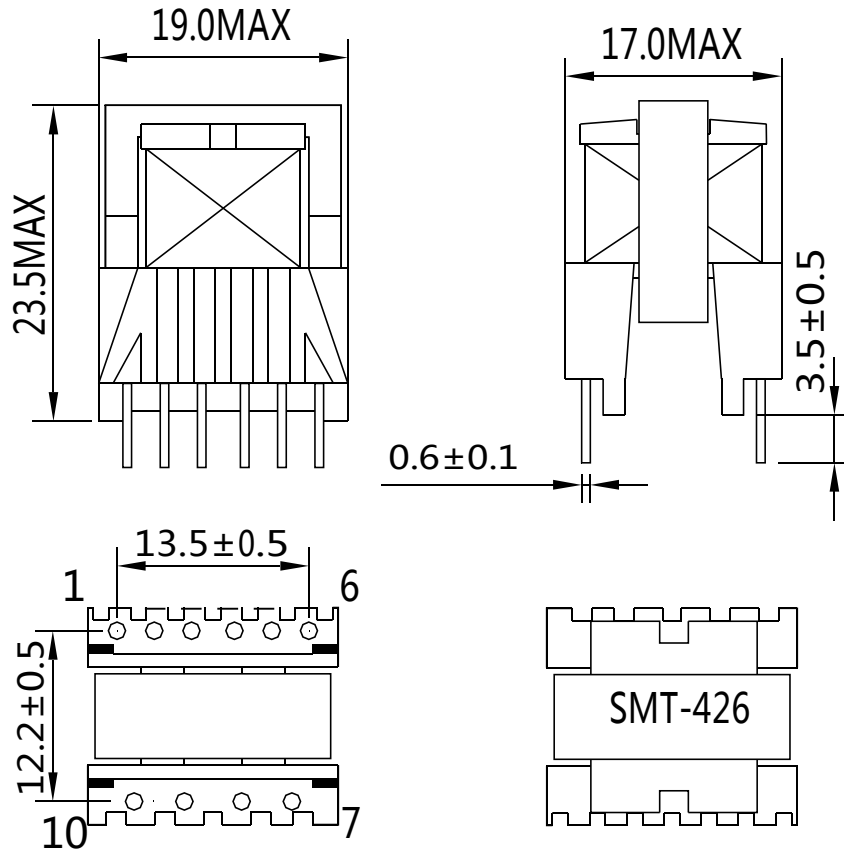
PART NO.

EE16

2.28mH

2.外形尺寸：

OUTLINE DIMENSION: (UNIT:mm)



备 注：DELETE PIN

REMARK：我们现有骨架的外形尺寸超出图纸所要求的，先送样测试性能并确认按现有骨架的高度是否可以。Just we sent the samples which the height is not matching as your drawing , only for your test the parameters .Can you accept the height ?

制	成	审	核	认	可	SHEET_OF_
						1/3

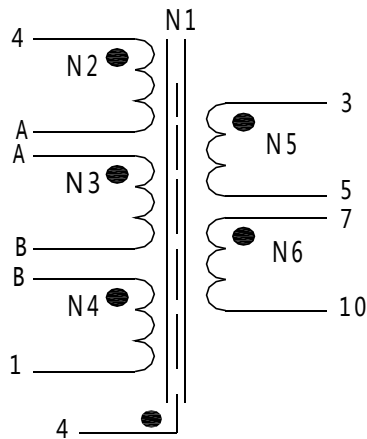
YZPST	TRANSFORMER	
	SPEC. NO.	PART NO.
	EE16	2.28mH

3.电磁特性：

ELECTRICAL CHARACTERISTICS

3.1 电原理图：

SCHEMATIC:



● =WINDING START

3.2 绕制方法:

WINDING:

绕组 WDG	进出端口 TERMINAL	漆线规格 WIRESIZE	绕制圈数 TURNS	胶带 TAPE	备注 REMARK
N1	6-屏蔽	QA-1-0.25*2/155°C	14	1	
N2	4-A	QA-1-0.15/155°C	36	1	
N1	A-B	QA-1-0.15/155°C	36	1	
N1	B-1	QA-1-0.15/155°C	36	2	
N1	3-5	QA-1-0.15*3/155°C	14	1	
N1	7-10	QA-1-0.35/155°C	36	2	

制	成	审	核	认	可	SHEET_OF_
						2/3

YZPST	TRANSFORMER	
	SPEC. NO.	PART NO.
	EE16	2.28mH

4. 技术参数

TECHNICAL PARAMETER

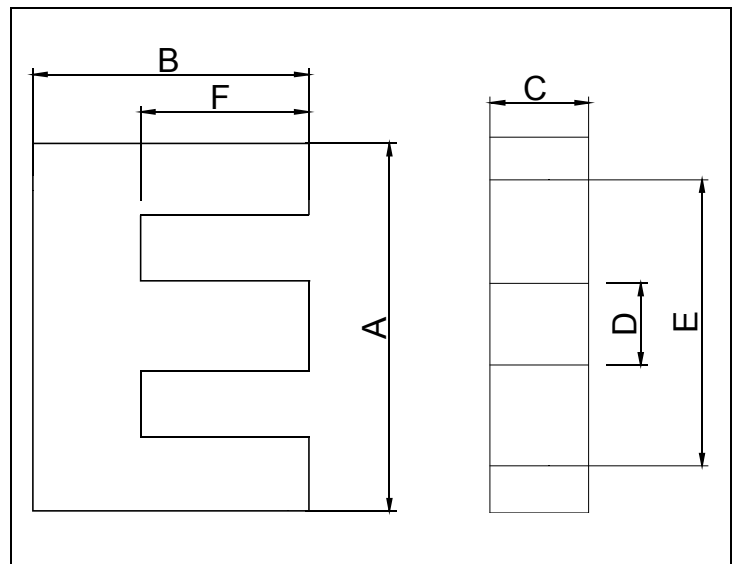
编号 NO.	测试项目 ITEM	测试端 MEASURED POINT	测试数据 TECHNICALDATA	测试条件 TEST CONDITION
1	INDUCTANCE (电感)	4-1	2.28 mH±10%	100KHZ 0.4V LCZ1062
2	LEAKAGE INDUCTANCE (漏感)	4-1	≤80.0uH	100KHZ 0.4V LCZ1062
3	Withstanding Voltage (耐压)	4-7	AC3.0KV5mA 1min	CY2663
4	DC RESISTANCE (电阻)	4-1	4.5ΩMAX	SB2231

5. 磁芯尺寸 : (单位 : mm)

CORE DEMENSION:(UNIT:mm)

材料 : SP4

A	16.0±0.4
B	6.05±0.3
C	6.0±0.4
D	4.5±0.2
E	11.7MIN
F	4.0±0.3



制	成	审	核	认	可	SHEET_OF_
						3/3

SAMPLE TEST DATA

客户编号 CUSTOMER		TESTED BY	APPROVED BY
部件号 PART NO.	EE16 (STM-426)		
客户部件号 CUSTOMER PART NO.	2.28mH		
样品数量 QUANTITY	8PCS		
测试条件		测试仪器	
temperature	25°C	<input checked="" type="checkbox"/> CH-LCZ 1062	<input checked="" type="checkbox"/> SB2231
frequency	100KHZ	<input type="checkbox"/> FJ1773	<input checked="" type="checkbox"/> CY2663
voltage	0.4V	<input type="checkbox"/> CY2693	<input type="checkbox"/> CH-3200A
current		<input type="checkbox"/> TC2810	<input type="checkbox"/> TH2817

测试项目 ITEM	电感 L			电阻 R			
	L4-1 (mH)	L3-5 (uH)	L7-10 (uH)	R4-1 (Ω)		Ls4-1 (uH)	
1	2.38	40.1	52.8	3.07		42.5	
2	2.36	39.6	52.6	3.05		38.5	
3	2.43	41.0	54.0	3.06		37.0	
4	2.41	40.4	53.6	3.06		38.4	
5	2.33	39.3	52.6	3.05		43.4	
6	2.37	40.0	52.7	3.06		37.6	
7	2.40	40.3	53.4	3.06		41.6	
8	2.33	39.3	51.9	3.06		50.0	

备注:
REMARK:

EE16 高频变压器性能

1. 工作频率: 20kHz-500kHz
2. 输出功率: 0.5 to 15 W
3. 工作温度: -40°C to +125°C
4. 储存温度: -25°C to +85°C
5. 储存湿度: 30 to 95%

EE16 high frequency transformer performance

1. Working frequency: 20khz-500khz
2. Output power: 0.5 to 15 W
3. The working temperature: - 40 °C to + 125 °C
4. Storage temperature: 25 °C to + 85 °C
5. Storage humidity: 30 to 95%

EE16 高频变压器的特点

EE16 高频变压器具有尺寸小, 价格便宜, 可靠性高的特点。EE 型变压器是基本型的铁氧体磁芯, 性能稳定, 成本低, 电流大。广泛应用于电源转换和线路滤波。体积由小到大, 满足各种应用电路的需求。如使用耐温 155°C 或 180°C 聚安脂漆包线, 可满足不同的温度条件, 适用于各种开关电源及逆变器, UPS 等。

Features of EE16 high frequency transformers

EE16 high frequency transformers have the characteristics of small size, low price and high reliability. EE type transformer is a basic ferrite core with stable performance, low cost and large current. It is widely used in power conversion and line filtering. The volume is from small to large to meet the needs of various application circuits. If use 155 °C or 180 °C of heat-resistant Ann polyester enamelled wire, can satisfy different temperature conditions, are suitable for all kinds of switching power supply and inverter, UPS, etc.

EE16 高频变压器的应用

EE16 高频变压器常应用于辅助电源变压器、DC-DC 转换器、驱动变压器、数码相机、手持式开关电源充电器等。

Application of EE16 high frequency transformer

EE16 high frequency transformers are commonly used in auxiliary power transformers, dc-dc converters, drive transformers, digital cameras, hand-held switch power chargers, etc.

P NO.	Type	Skeleton style	long	wide	high	One From the PIN		Two From the PIN		Row spacing	PIN diameter
EE16-1	vertical	I	18.0	16.5	17.5	4	3.5	6	2.7	12.3	Φ0.6
EE16-2	vertical	I	16.5	14.0	15.5	5	3.3	5	3.3	10.5	Φ0.6
EE16-3	vertical	I	15.5	15.5	14.0	4	3.8	4	3.8	10.2	Φ0.6
EE16-4	horizontal	II	17.0	21.0	14.5	4	3.8	4	3.8	15.7	Φ0.6
EE16-5	horizontal	II	17.0	19.0	13.5	5	3.2	5	3.2	15.5	Φ0.6
EE16-6	horizontal	II	17.0	19.0	14.0	5	2.5	5	2.5	12.5	Φ0.6
EE16-7	vertical	III	17.0	18.0	16.5	5	3.2	2	12.8	13.8	Φ0.6
EE16-8	vertical	III	17.0	17.0	15.0	5	3.5	4	5.0/3.2	14.2	Φ0.6