

## HIGH POWER THYRISTOR FOR INVERTER APPLICATIONS

### Features:

- . All Diffused Structure
- . Interdigitated Amplifying Gate Configuration
- . Guaranteed Maximum Turn-Off Time
- . High dV/dt Capability
- . Pressure Assembled Device

## YZPST-R2619ZC25J

## ELECTRICAL CHARACTERISTICS AND RATINGS

### Blocking - Off State

$V_{RRM}$ (1)	$V_{DRM}$ (1)	$V_{RSM}$ (1)
2500	2500	2600

- $V_{RRM}$  = Repetitive peak reverse voltage  
 $V_{DRM}$  = Repetitive peak off state voltage  
 $V_{RSM}$  = Non repetitive peak reverse voltage (2)

Repetitive peak reverse leakage and off state leakage	$I_{RRM} / I_{DRM}$	20 mA 200 mA (3)
Critical rate of voltage rise	dV/dt (4)	200 V/ $\mu$ sec

### Notes:

All ratings are specified for  $T_j=25^\circ\text{C}$  unless otherwise stated.

- (1) All voltage ratings are specified for an applied 50Hz/60Hz sinusoidal waveform over the temperature range  $-40$  to  $+125^\circ\text{C}$ .
- (2) 10 msec. max. pulse width
- (3) Maximum value for  $T_j = 125^\circ\text{C}$ .
- (4) Minimum value for linear and exponential waveshape to 80% rated  $V_{DRM}$ . Gate open.  $T_j = 125^\circ\text{C}$ .
- (5) Non-repetitive value.
- (6) The value of di/dt is established in accordance with EIA/NIMA Standard RS-397, Section 5-2-2-6. The value defined would be in addition to that obtained from aubber circuit, comprising a 0.2  $\mu\text{F}$  capacitor and 20 ohms resistance in parallel with the thristor under test.

### Conducting - on state

Parameter	Symbol	Min.	Max.	Typ.	Units	Conditions
Average value of on-state current	$I_{T(AV)M}$		2619		A	Sinewave, $180^\circ$ conduction, $T_c=55^\circ\text{C}$
RMS value of on-state current	$I_{TRMS}$		5227		A	Nominal value
Peak one cPSTCle surge (non repetitive) current	$I_{TSM}$		33.8		kA	8.3 msec (60Hz), sinusoidal wave-shape, $180^\circ$ conduction, $T_j = 125^\circ\text{C}$
			37.2		kA	10.0 msec (50Hz), sinusoidal wave-shape, $180^\circ$ conduction, $T_j = 125^\circ\text{C}$
I square t	$I^2t$		$5.71 \times 10^6$		$\text{A}^2\text{s}$	8.3 msec
Latching current	$I_L$		-		mA	$V_D = 24\text{ V}$ ; $R_L = 12\text{ ohms}$
Holding current	$I_H$		1000		mA	$V_D = 24\text{ V}$ ; $I = 2.5\text{ A}$
Peak on-state voltage	$V_{TM}$		2.3		V	$I_{TM} = 4000\text{ A}$
Critical rate of rise of on-state current (5, 6)	di/dt		1500		A/ $\mu\text{s}$	Switching from $V_{DRM} \leq 1000\text{ V}$ , non-repetitive
Critical rate of rise of on-state current (6)	di/dt		1000		A/ $\mu\text{s}$	Switching from $V_{DRM} \leq 1000\text{ V}$

**Gating**

Parameter	Symbol	Min.	Max.	Typ.	Units	Conditions
Peak gate power dissipation	$P_{GM}$		30		W	
Average gate power dissipation	$P_{G(AV)}$		5		W	
Peak gate current	$I_{GM}$		-		A	
Gate current required to trigger all units	$I_{GT}$		300		mA	$V_D = 10\text{ V}; I_T = 3\text{ A}; T_j = +25\text{ }^\circ\text{C}$
Gate voltage required to trigger all units	$V_{GT}$		3		V	$V_D = 10\text{ V}; I_T = 3\text{ A}; T_j = +25\text{ }^\circ\text{C}$
Peak negative voltage	$V_{RGM}$		5		V	

**Dynamic**

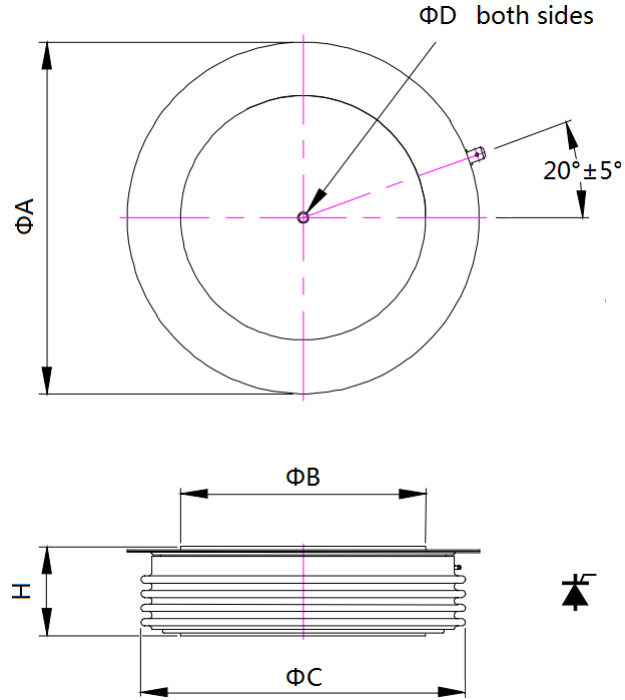
Parameter	Symbol	Min.	Max.	Typ.	Units	Conditions
Delay time	$t_{gd}$		-	0.8	$\mu\text{s}$	$V_D = 67\% V_{DRM}, I_T = 2000\text{ A},$ $di/dt = 60\text{ A}/\mu\text{s}, I_{FG} = 2\text{ A}, t_r = 0.5\mu\text{s},$ $T_j = 25\text{ }^\circ\text{C}$
Turn-on time	$t_{gt}$		-	1.5		
Turn-off time (with $V_R = -5\text{ V}$ )	$t_q$		-	60	$\mu\text{s}$	$I_{TM} = 4000\text{ A}, t_p = 2000\mu\text{s},$ $di/dt = 60\text{ A}/\mu\text{s}, V_r = 100\text{ V},$ $V_{dr} = 67\% V_{DRM}, dV_{dr}/dt = 200\text{ V}/\mu\text{s}$
Reverse recovery current	$I_{rm}$		-		A	$I_{TM} = 4000\text{ A}, t_p = 2000\mu\text{s},$ $di/dt = 60\text{ A}/\mu\text{s}$

**THERMAL AND MECHANICAL CHARACTERISTICS AND RATINGS**

Parameter	Symbol	Min.	Max.	Typ.	Units	Conditions
Operating temperature	$T_j$	-40	+125		$^\circ\text{C}$	
Storage temperature	$T_{stg}$	-40	+150		$^\circ\text{C}$	
Thermal resistance - junction to case	$R_{\Theta(j-c)}$		-	-	K/kW	Double sided cooled Single sided cooled
Thermal resistance - case to sink	$R_{\Theta(c-s)}$		11 22		K/kW	Double sided cooled * Single sided cooled *
Mounting force	F	27	47	-	kN	
Weight	W			1.7	Kg	about

\* Mounting surfaces smooth, flat and greased

Note : for case outline and dimensions, see case outline drawing in page 3 of this Technical Data



Sym	A	B	C	D	H
mm	109	73	98	3.5x3	35±1