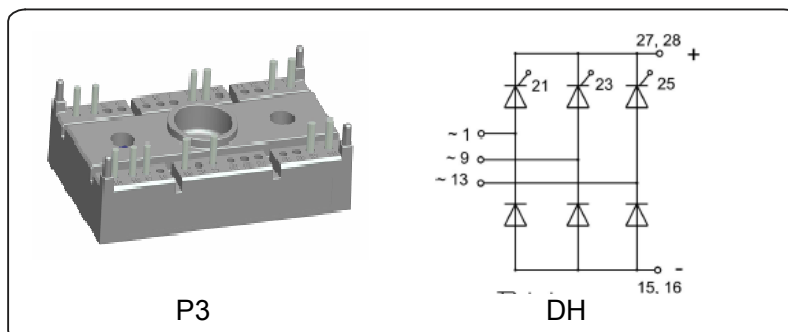


YZPST Semiconductors

Half Controlled Bridge Rectifier Module,70A

FEATURES

- Compact Design
- One screw mounting
- Heat transfer and isolation through direct copper bonded aluminium oxide ceramic(DBC)
- Glass passivated thyristor chips
- Up to 1600v reverse voltage



Typical Applications

- Soft starters
- Light control
- Temperature control
- Motor control

Module Type		
Type	V <sub>RRM</sub>	V <sub>RSM</sub>
H70-08	800V	900V
H70-12	1200V	1300V
H70-16	1600V	1700V

SYMBOL	CONDITIONS	VALUES	UNITS
I <sub>D</sub>	T <sub>s</sub> =80°C	70	A
I <sub>TSM</sub>	T=10ms Tvj=25°C	370	A
	T=10ms Tvj=125°C	280	A
i <sup>2</sup> t	T=8.3...10ms Tvj=25°C	685	A <sup>2</sup> S
	T=8.3...10ms Tvj=125°C	365	A <sup>2</sup> S
V <sub>T</sub>	Tvj=25°C , 75A	Max.1.8	V
V <sub>T(TO)</sub>	Tvj=125°C	Max.1	V
r <sub>T</sub>	Tvj=125°C	Max.10	mΩ
I <sub>DD</sub> ;I <sub>RD</sub>	V <sub>RD</sub> =V <sub>RRM</sub> ,Tvj=25°C ,	Max.0.1	mA
	V <sub>RD</sub> =V <sub>RRM</sub> ,Tvj=125°C	Max.10	mA
t <sub>gd</sub>	I <sub>G</sub> =1A;di <sub>G</sub> /dt=1A/μs ,Tvj=25°C	1	μs
t <sub>gr</sub>	V <sub>D</sub> =0.67*V <sub>DRM</sub>	2	μs
(dv/dt) <sub>cr</sub>	Tvj=125°C;	1000	V/μs
(di/dt) <sub>cr</sub>	f=50...60Hz; Tvj=125°C;	50	A/μs
t <sub>q</sub>	Tvj=125°C;	120	μs
I <sub>H</sub>	Tvj=25°C;	typ./max 100/150	mA
I <sub>L</sub>	Tvj=25°C;	typ./max 80/150	mA
V <sub>GT</sub>	D.C.,Tvj=25°C;	min.2	V
I <sub>GT</sub>	D.C.,Tvj=25°C;	min.100	mA
V <sub>GD</sub>	D.C.,Tvj=125°C;	min.0.25	V
I <sub>GD</sub>	D.C.,Tvj=125°C;	min.3	mA

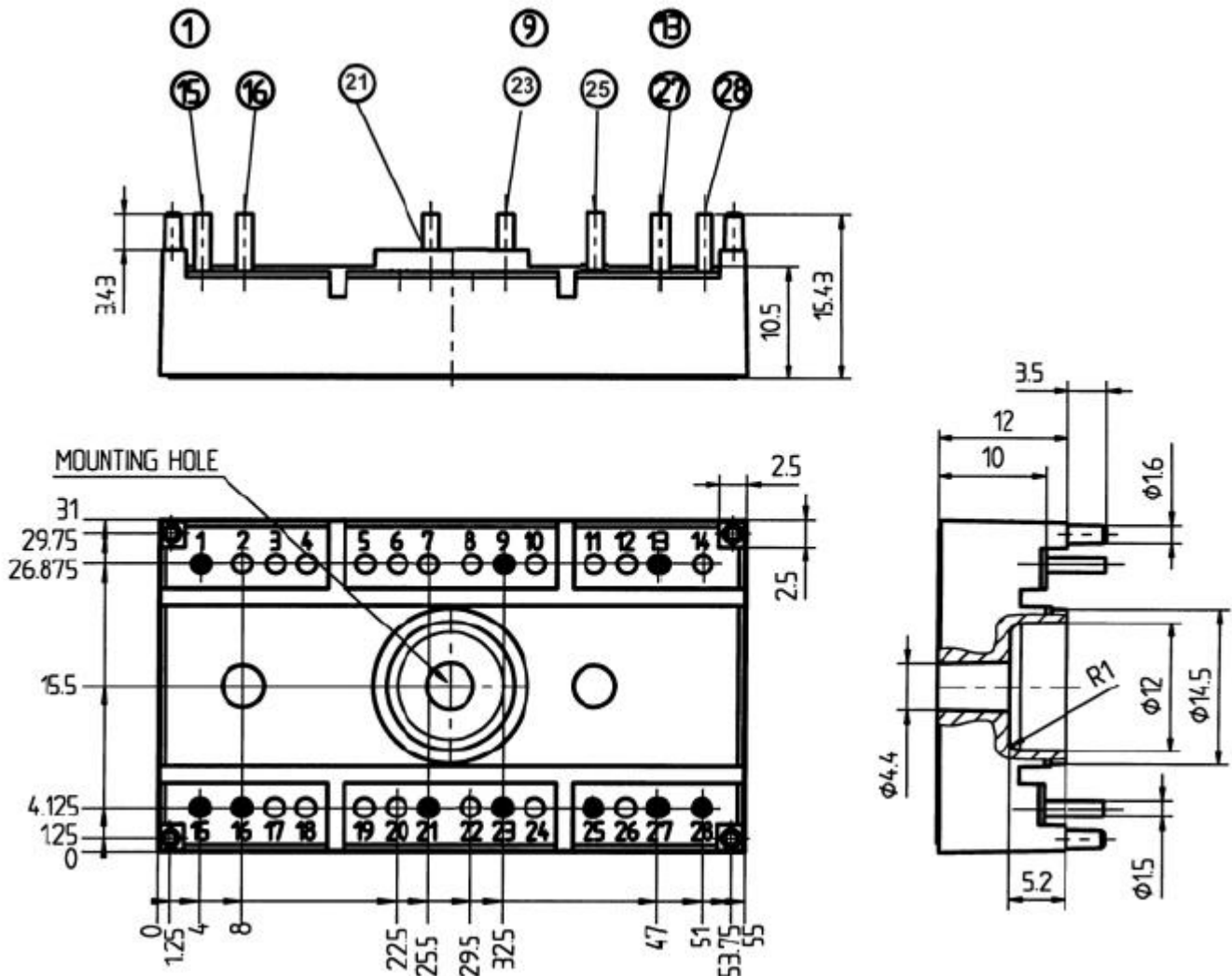
SYMBOL	CONDITIONS	VALUES	UNITS
$R_{th(j-s)}$	Sin. 180° per thyristor	1.20	k/w
$T_{vj}$	Diodes	-40~+150	°C
$T_{vj}$	Thyristors	-40~+125	°C
$T_{stg}$		-40~+125	°C
$V_{isol}$	a.c.50Hz;r.m.s.;1s/1min.	3000/2500	V
Ms	Mounting torque to heatsink	2.5	Nm
Weight		30	g



®

Tel: +86-514-87782298, 87782296    FAX: +86-514-87782297, 87367519  
 E-mail: [positioning@china.com](mailto:positioning@china.com); [info@yzpst.com](mailto:info@yzpst.com); [info@stt.tm](mailto:info@stt.tm); [info@goldstar.tm](mailto:info@goldstar.tm)  
 Web Site: [www.yzpst.com](http://www.yzpst.com)   [www.stt.tm](http://www.stt.tm)   [www.goldstar.tm](http://www.goldstar.tm)  
[www.positioning.en.alibaba.com](http://www.positioning.en.alibaba.com)   [www.pst.manufacturer.globalsources.com](http://www.pst.manufacturer.globalsources.com)

P3 package



DIMENSIONS in millimeters



Tel: +86-514-87782298, 87782296    FAX: +86-514-87782297, 87367519  
 E-mail: [positioning@china.com](mailto:positioning@china.com); [info@yzpst.com](mailto:info@yzpst.com); [info@stt.tm](mailto:info@stt.tm); [info@goldstar.tm](mailto:info@goldstar.tm)  
 Web Site: [www.yzpst.com](http://www.yzpst.com)   [www.stt.tm](http://www.stt.tm)   [www.goldstar.tm](http://www.goldstar.tm)  
[www.positioning.en.alibaba.com](http://www.positioning.en.alibaba.com)   [www.pst.manufacturer.globalsources.com](http://www.pst.manufacturer.globalsources.com)