

# YZPST-ZP8000A-1200V Rectifier Diode

## Absolute Maximum Ratings

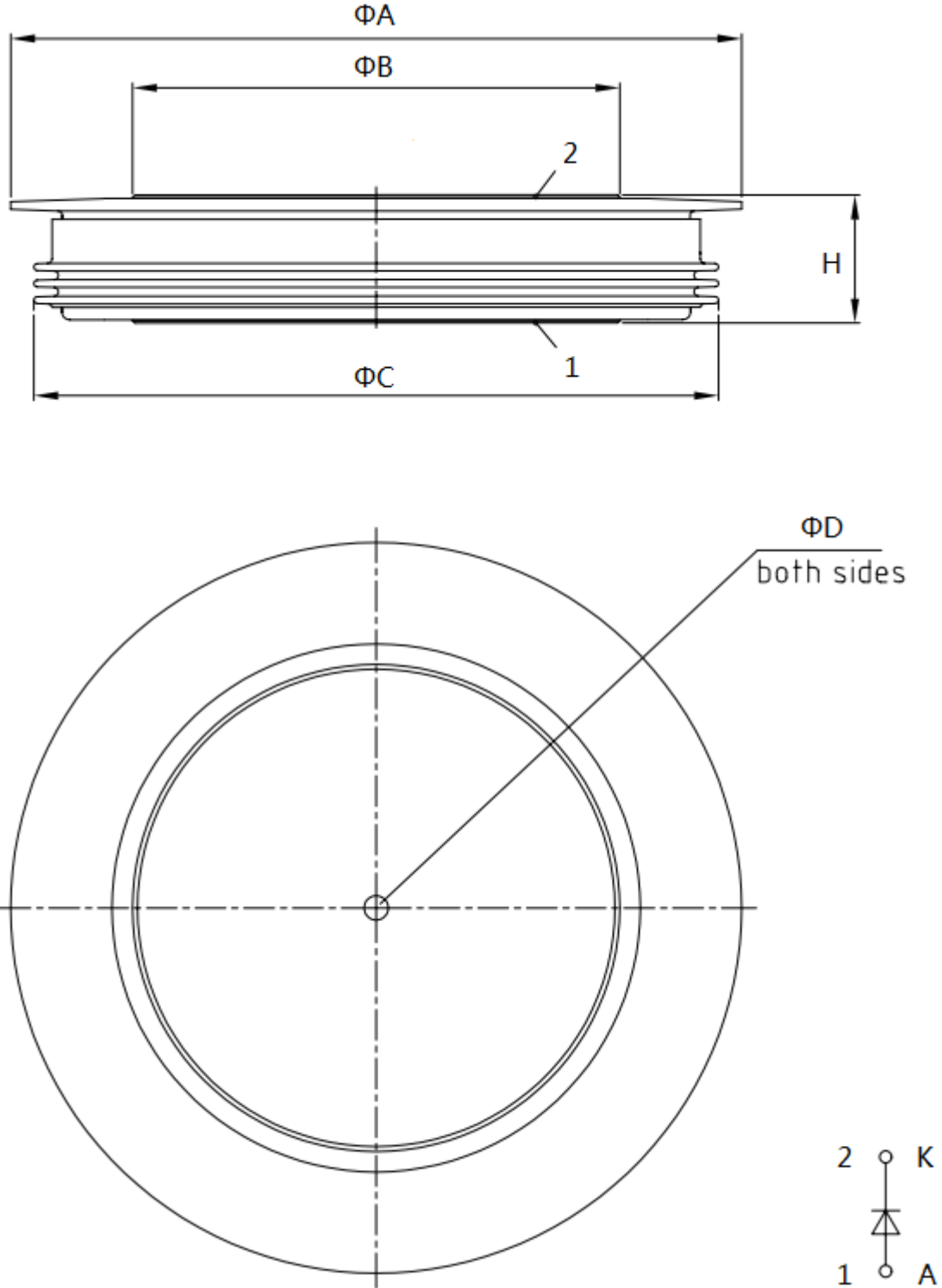
	<b>VOLTAGE RATINGS</b>	<b>MAXIMUM LIMITS</b>	<b>UNITS</b>
$V_{RRM}$	Repetitive peak reverse voltage, $T_j=25^\circ\text{C}$	1200	V
$V_{RSM}$	Non-repetitive peak reverse voltage, $T_j=25^\circ\text{C}$	1300	V
	<b>OTHER RATINGS</b>	<b>MAXIMUM LIMITS</b>	<b>UNITS</b>
$I_{F(AV)}$	Average forward current, $T_j=150^\circ\text{C}$	8410	A
$I_{F(RMS)}$	Nominal RMS forward current, $T_j=25^\circ\text{C}$	15025	A
$I_{FSM}$	Peak non-repetitive surge $t_p=10\text{ms}$ , $T_j=25^\circ\text{C}$	72	kA
$I^2t$	$I^2t$ capacity for fusing $t_p=10\text{ms}$ , $T_j=25^\circ\text{C}$	$25.92 \times 10^6$	$\text{A}^2\text{s}$
$T_{jop}$	Operating temperature range	-40 to +150	$^\circ\text{C}$
$T_{stg}$	Storage temperature range	-40 to +150	$^\circ\text{C}$

## Characteristics

	<b>PARAMETER</b>	<b>MIN.</b>	<b>TYP.</b>	<b>MAX.</b>	<b>TEST CONDITIONS</b>	<b>UNITS</b>
$V_{FM}$	Maximum peak forward, $T_j=150^\circ\text{C}$	-	-	1.13	$I_{FM}=6800\text{A}$	V
$V_{(T0)}$	Threshold voltage	-	-	0.67		V
$r_T$	Slope resistance	-	-	0.038		m $\Omega$
$I_{RRM}$	Peak reverse current	-	-	100	Rated $V_{RRM}$ , $T_j=150^\circ\text{C}$	mA
					Rated $V_{RRM}$ , $T_j=25^\circ\text{C}$	
$Q_{rr}$	Recovered charge	-	-	-		$\mu\text{C}$
$I_{rm}$	Reverse recovery current	-	-	-	$V_r=50\text{V}$ , 50% Chord.	A
$t_{rr}$	Reverse recovery time, 50% Chord	-	-	-		$\mu\text{s}$
$R_{thJK}$	Thermal resistance, junction to heatsink	-	-	0.011	Double side cooled	K/W
			-	0.022	Single side cooled	
F	Mounting force	63	-	91		kN

W <sub>t</sub>	Weight	-	-	-		g
----------------	--------	---	---	---	--	---

**Outline Drawing**





# YANGZHOU POSITIONING TECH. CO., LTD

Type	Sym	A	B	C	D	H
	mm	150	100	108	3.5×3	26±1



Tel: +86-514-87782298, 87782296

FAX: +86-514-87782297, 87367519

E-mail: [positioning@china.com](mailto:positioning@china.com);

[info@yzpst.com](mailto:info@yzpst.com);

[yzpst@pst888.com](mailto:yzpst@pst888.com)

Web Site: [www.Pst888.com](http://www.Pst888.com)

[www.yzpstcc.com](http://www.yzpstcc.com)

[www.yzpst.net](http://www.yzpst.net)

[www.yzpst.com](http://www.yzpst.com)