

Schottky Barrier Rectifier Diode

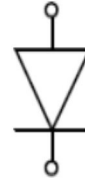
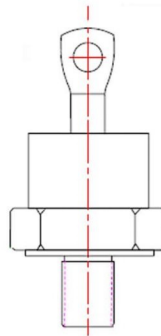
2015

Parameter

STD60-45

Features

- Fast Switching
- Low forward voltage drop, VF
- Guard ring protection
- High surge capacity
- High efficiency, low power loss

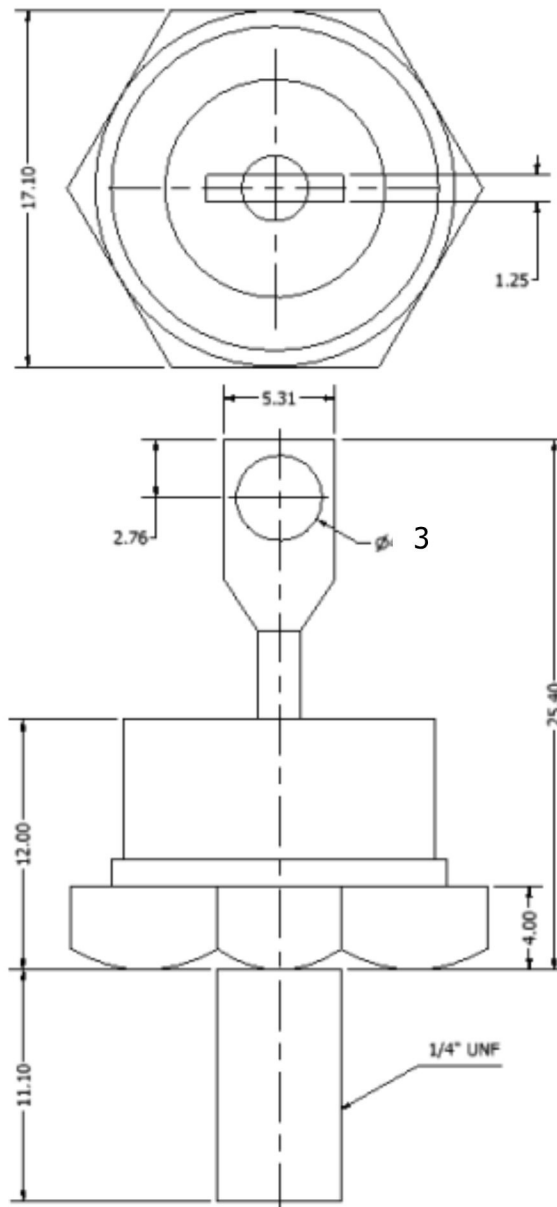


Electrical Ratings (TC = 250 C, unless otherwise noted)

Parameter	Symbol	Values	Units
Repetitive peak reverse voltage	VRRM	45	V
DC blocking voltage	VDC	45	V
Non-repetitive peak reverse voltage	VRSM	54	V
Average rectified forward current (TC = 85°C)	IF(AV)	60	A
Non-repetitive peak surge current (surge applied at rated load conditions, halfwave, single phase, 50 Hz)	IFSM	600	A

Maximum Ratings (TC = 250 C, unless otherwise noted)					
Parameter		Test Conditions	Symbol	Values	Units
Maximum instantaneous forward voltage		IF= 30 A	VF	0.58	V
		IF = 60 A		0.66	V
		IF= 120 A		0.89	V
Maximum instantaneous reverse current at rated DC voltage		TC = 25° C	IR	50	mA
		TC = 125° C		125	mA

Thermal & Mechanical Specifications ($T_c = 25^{\circ}\text{C}$, unless otherwise noted)			
Parameters	Symbol	Values	Units
Maximum thermal resistance, junction to case	$R_{th(jc)}$	1.0	$^{\circ}\text{C}/\text{W}$
Operating junction temperature range	T_j	-65 to +150	$^{\circ}\text{C}$
Storage temperature	T_{stg}	-65 to +150	$^{\circ}\text{C}$
Mounting torque (non-lubricated threads)		15	in-lb
Approximate allowable weight	W	45.6	g



ALL DIMENSIONS IN MM