



复旦微电子

FM11RF32N

32KBits Contactless IC Card Chip

Datasheet

Sep. 2013



INFORMATION IN THIS DOCUMENT IS INTENDED AS A REFERENCE TO ASSIST OUR CUSTOMERS IN THE SELECTION OF SHANGHAI FUDAN MICROELECTRONICS GROUP CO., LTD PRODUCT BEST SUITED TO THE CUSTOMER'S APPLICATION; THEY DO NOT CONVEY ANY LICENSE UNDER ANY INTELLECTUAL PROPERTY RIGHTS, OR ANY OTHER RIGHTS, BELONGING TO SHANGHAI FUDAN MICROELECTRONICS GROUP CO., LTD OR A THIRD PARTY.

WHEN USING THE INFORMATION CONTAINED IN THIS DOCUMENTS, PLEASE BE SURE TO EVALUATE ALL INFORMATION AS A TOTAL SYSTEM BEFORE MAKING A FINAL DECISION ON THE APPLICABILITY OF THE INFORMATION AND PRODUCTS. PURCHASERS ARE SOLELY RESPONSIBLE FOR THE CHOICE, SELECTION AND USE OF THE SHANGHAI FUDAN MICROELECTRONICS GROUP CO., LTD PRODUCTS AND SERVICES DESCRIBED HEREIN, AND SHANGHAI FUDAN MICROELECTRONICS GROUP CO., LTD ASSUMES NO LIABILITY WHATSOEVER RELATING TO THE CHOICE, SELECTION OR USE OF THE SHANGHAI FUDAN MICROELECTRONICS GROUP CO., LTD PRODUCTS AND SERVICES DESCRIBED HEREIN. UNLESS EXPRESSLY APPROVED IN WRITING BY AN AUTHORIZED SHANGHAI FUDAN MICROELECTRONICS GROUP CO., LTD REPRESENTATIVE, SHANGHAI FUDAN MICROELECTRONICS GROUP CO., LTD PRODUCTS ARE NOT RECOMMENDED, AUTHORIZED OR WARRANTED FOR USE IN MILITARY, AIR CRAFT, SPACE, LIFE SAVING, OR LIFE SUSTAINING APPLICATIONS, NOR IN PRODUCTS OR SYSTEMS WHERE FAILURE OR MALFUNCTION MAY RESULT IN PERSONAL INJURY, DEATH, OR SEVERE PROPERTY OR ENVIRONMENTAL DAMAGE.

FUTURE ROUTINE REVISIONS WILL OCCUR WHEN APPROPRIATE, WITHOUT NOTICE. CONTACT SHANGHAI FUDAN MICROELECTRONICS GROUP CO., LTD SALES OFFICE TO OBTAIN THE LATEST SPECIFICATIONS AND BEFORE PLACING YOUR PRODUCT ORDER. PLEASE ALSO PAY ATTENTION TO INFORMATION PUBLISHED BY SHANGHAI FUDAN MICROELECTRONICS GROUP CO., LTD BY VARIOUS MEANS, INCLUDING SHANGHAI FUDAN MICROELECTRONICS GROUP CO., LTD HOME PAGE ([HTTP://WWW.FMSH.COM](http://www.fms.com)).

PLEASE CONTACT SHANGHAI FUDAN MICROELECTRONICS GROUP CO., LTD LOCAL SALES OFFICE FOR THE SPECIFICATION REGARDING THE INFORMATION IN THIS DOCUMENT OR SHANGHAI FUDAN MICROELECTRONICS GROUP CO., LTD PRODUCTS.

Trademarks

Shanghai Fudan Microelectronics Group Co., Ltd name and logo, the “复旦” logo are trademarks or registered trademarks of Shanghai Fudan Microelectronics Group Co., Ltd or its subsidiaries in China.

Shanghai Fudan Microelectronics Group Co., Ltd, Printed in the China, All Rights Reserved.



Content

CONTENT	3
1. FEATURES	4
2. PRODUCT OVERVIEW	5
2.1. INTRODUCTION	5
2.2. BLOCK DIAGRAM.....	5
2.3. FUNCTION DESCRIPTION	6
2.3.1. <i>Transaction sequence</i>	6
2.3.2. <i>Transaction sequence description</i>	6
3. COMMANDS	8
3.1. COMMAND CODE (HEX).....	8
3.2. COMMANDS DEMONSTRATION.....	8
4. MEMORY ORGANIZATION AND ACCESS CONDITIONS	9
5. DATA INTEGRITY	12
6. SECURITY	13
REVISION HISTORY	14
SALES AND SERVICE	15

1. Features

● Contactless communications RF interface

- Contactless transmission of data and supply (no battery needed)
- Operating distance: up to 100mm (depending on antenna geometry)
- Operating frequency: 13.56MHz
- Fast communication baud rate: 106Kbit/s
- Half duplex communication protocol using handshake
- Compatible: with ISO/IEC 14443-A
- Encryption algorithm compatible with M1 standard
- Typical Ticking Transaction: <100ms

● EEPROM

- 4096 x 8bit EEPROM
- High security level data communication
- Organized in 32 sectors of 4 blocks and 8 sectors of 16 blocks (one block consists of 16 byte).

● High security

- Mutual three pass authentication
- Each sector has its own two secret keys for systems using key hierarchies.
- Assess conditions for each block defined by user

● Arithmetic capability: increase and decrease.

● High reliability

- Endurance: 100,000 cycle
- Data Retention: 10 Years

2. Product Overview

2.1. Introduction

FM11RF32N is the contactless IC card chip development by Shanghai FM Co., Ltd. The chip has 4K x 8bits EEPROM organization; the maximum communication range between the reader antenna and contactless card is approximately 10cm. Data is exchanged half duplex at a 106 Kbit/s rate.

The FM11RF32N is a true multi-application smart card with the functionality of a processor card realized with hardware logic, and also has a very high security performance with the encryption and communication circuit, so FM11RF32N can be especially tailored to meet the requirements of a payment card which can be used for ticketing systems in public transport and comparable applications.

The Contactless smart card contains three components: FM11RF32N chip antenna and the card base with PVC (or PET) material. No battery is needed. When the chip is positioned in proximity of the coupling device antenna, the high speed RF communication interface allows transmitting data with 106 Kbit/s.

2.2. Block Diagram

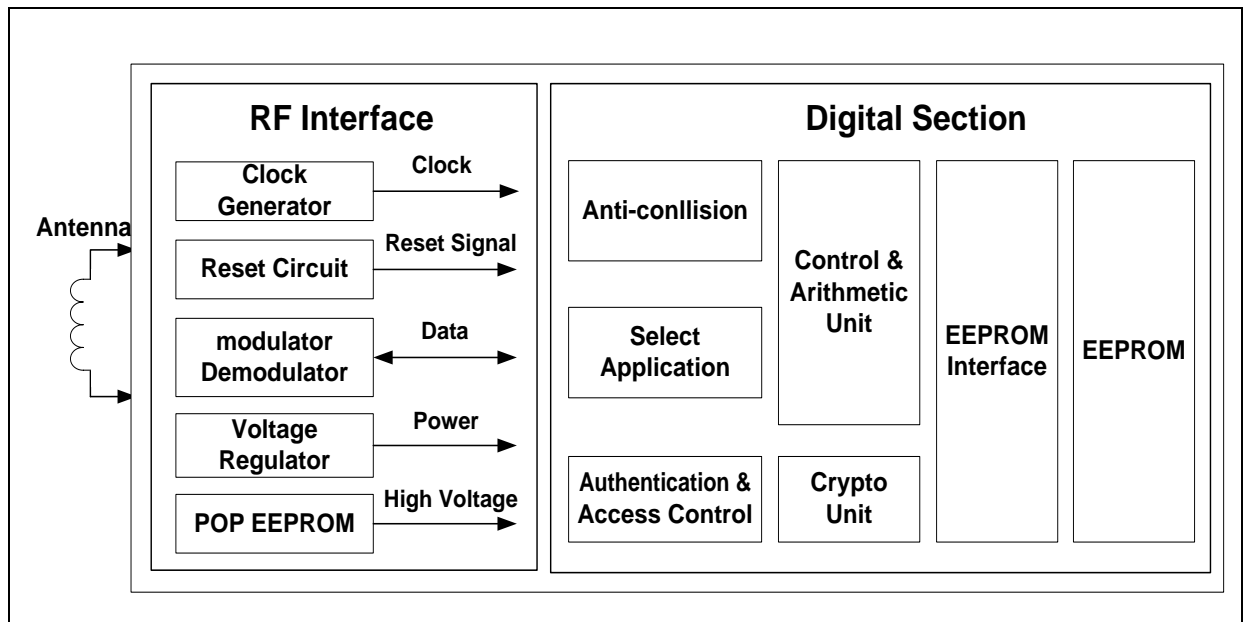


Figure 2-1 FM11RF32N Block Diagram

2.3. Function Description

2.3.1. Transaction sequence

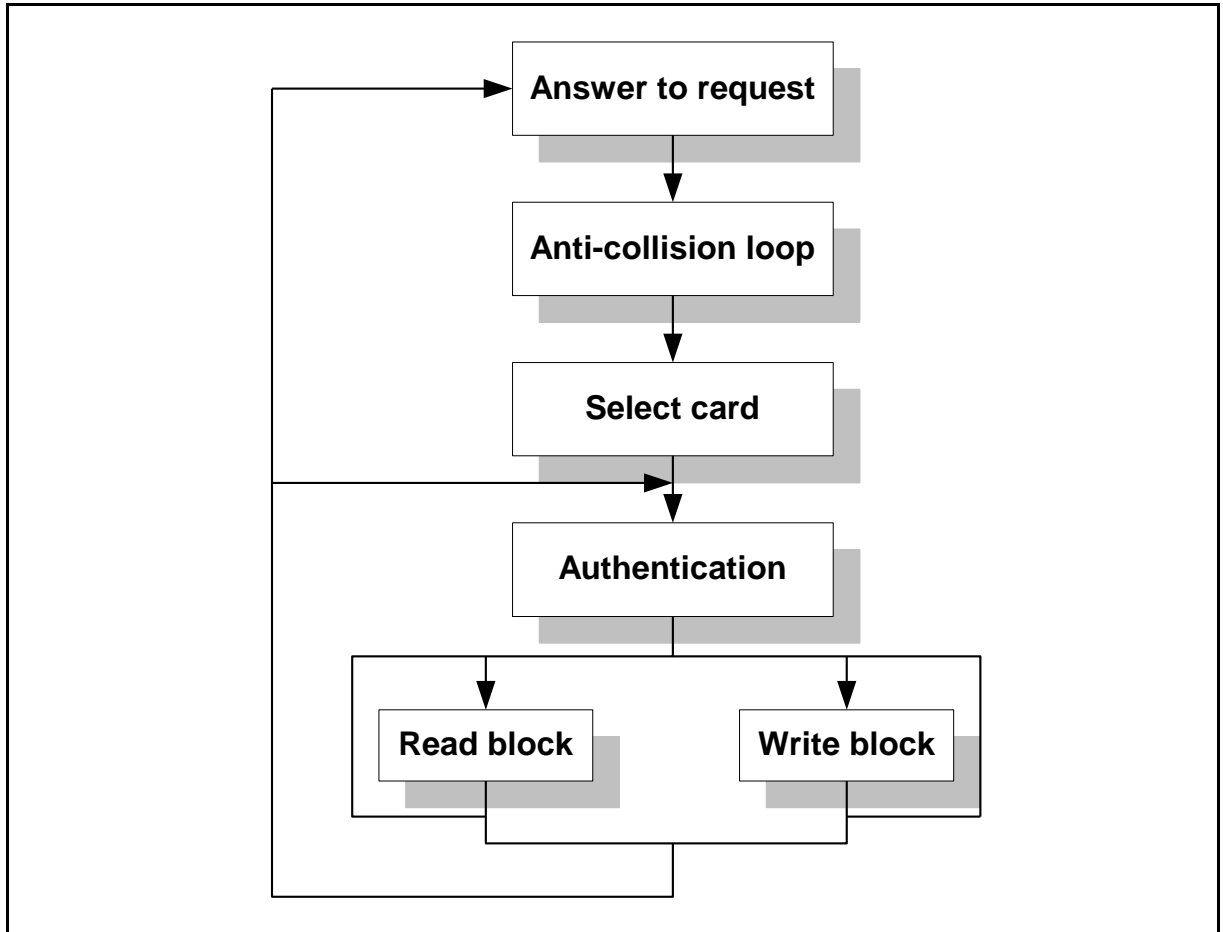


Figure 2-2 FM11RF32N Transaction sequence diagram

2.3.2. Transaction sequence description

Answer to Request: The communication protocol and the communication baud rate between RWD and card are defined in advance. When a card is in the operating range of a RWD, the RWD will communication with the appropriate protocol, to validate the type of a card.

Anti-collision Loop: If there are several cards in the operating range of RWD. They can be distinguished by their unique serial numbers and one can be selected for further transactions. The unselected cards return to the standby mode and wait for a new Answer to Request and Anti-collision loop.

Select Card: After a card selection, the card returns the Answer to Select code (SAK).



3 Pass Authentication: After selection of a card, RWD specifies the sector number and use the corresponding key for the 3 Pass Authentication procedures. Any communication after authentication is performed via stream cipher encryption. (If the next sector is selected, cipher verifying is necessary to the new sector.).

Read/Write: After authentication, the following operations may be performed:

READ: Read one block

WRITE: Write one block

DECREMENT: Decrements the contents of one block and stores the result in the data-register

INCREMENT: Increments the contents of one block and stores the result in the data-register

TRANSFER: Writes the contents of the data-register to one block

RESTORE: Stores the contents of one block in the data-register

Halt: Pause operation

3. Commands

3.1. Command code (HEX)

Commands	Code (HEX)
Request std	26
Request all	52
Anti-collision	93
Select Card	93
Authentication.Ia	60
Authentication.Ib	61
Read	30
Write	A0
Increment	C1
Decrement	C0
Restore	C2
Transfer	B0
Halt	50

Table 3-1 FM11RF32N Command Code (HEX)

3.2. Commands demonstration

Answer to Request: Look for card in operating area. 'Request Std' means looking for card which is not set to halt, 'Request All' means looking for all cards which are in operating area.

Anti-collision: It means selecting only one card if there is one card or several cards in operating area.

Select Card: It means setting up the communication with the selected card after the anti-collision command.

Authentication: Before visiting memory, the user must verify if the operation is legal by coherence of cipher in RWD and cipher in card.

Read: Read 16 bytes of one block.

Write: Write data to one block.

Increment: Increment a certain value to numerical block, store the result in register.

Decrement: Decrement a certain value to numerical block, store the result in register.

Restore: Read contents of numerical block to register.

Transfer: Write contents of register to numerical block.

Halt: Card is set to halt.

4. Memory Organization and Access Conditions

The FM11RF32N has integrated a 32Kbits EEPROM which is organized in 32 sectors of 4 blocks and 8 sectors of 16 blocks. One block contains 16 bytes. The structure of memory is shown below:

Sector	Block	Byte Number within a Block														Description	
		0	1	2	3	4	5	6	7	8	9	10	11	12	13		14
39	15	Key A						Access bits				Key B				Control Block	
	14				Data												Data
	13				Data												Data

	2																Data
	1																Data
	0																Data
...																...	
...																...	
32	15	Key A						Access bits				Key B				Control Block	
	14				Data												Data
	13				Data												Data

	2				Data												Data
	1				Data												Data
	0				Data												Data
31	3	Key A						Access bits				Key B				Control Block	
	2																Data
	1																Data
	0																Data
...																...	
...																...	
0	3	Key A						Access bits				Key B				Control Block	
	2																Data
	1																Data
	0																Manufacturer Block

Figure 4-1 FM11RF32N Memory Organization

The last block of any sector which named the control block contains access KEYA (6 bytes), KEYB (6 bytes) and the access conditions (4 bytes). The other blocks of the sector serve as common data blocks. The first block of the memory is reserved for manufacturer data like 32 bit serial number. This is a read only block and is also solidified. In many documents it is named "block0". There are two kinds of data block application, one is data reserved and direct read/write, the other is denoted special data format, it can be initialization evaluation, increment, decrement and read. The structure of the control block is shown below.

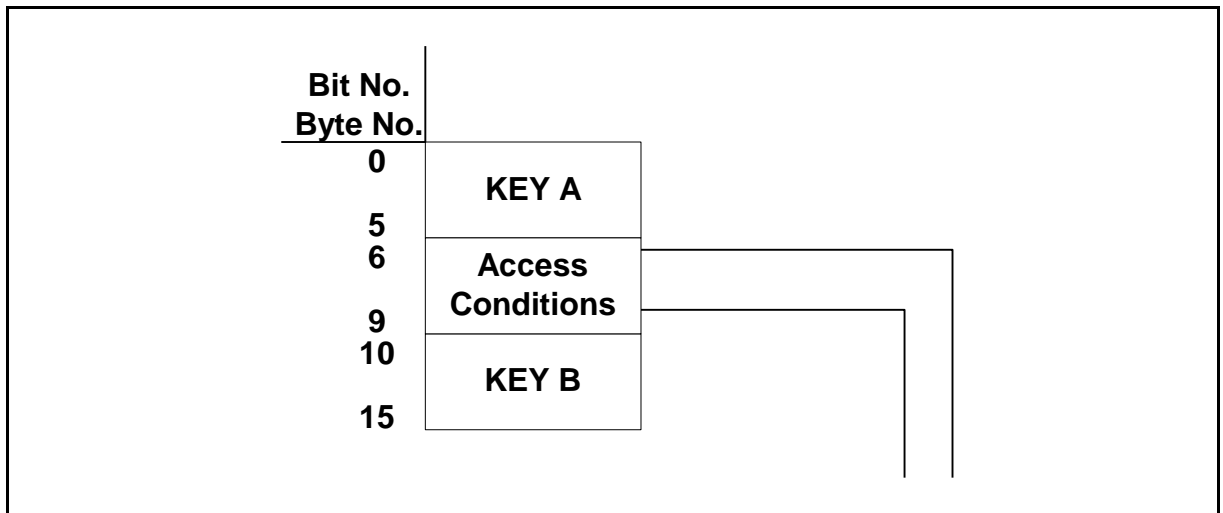


Figure 4-2 FM11RF32N Structure of the Control Block

bit 7	bit 6	bit 5	bit 4	bit 3	bit 2	bit 1	bit 0
C2 _{3_b}	C2 _{2_b}	C2 _{1_b}	C2 _{0_b}	C1 _{3_b}	C1 _{2_b}	C1 _{1_b}	C1 _{0_b}
C1 ₃	C1 ₂	C1 ₁	C1 ₀	C3 _{3_b}	C3 _{2_b}	C3 _{1_b}	C3 _{0_b}
C3 ₃	C3 ₂	C3 ₁	C3 ₀	C2 ₃	C2 ₂	C2 ₁	C2 ₀
B7	B6	B5	B4	B3	B2	B1	B0

Note: _b stands for inversion e.g.:C2X3_b=INV(C2X3)

C stands for control bit

B stands for reserve bit

Access condition for the control Block

			KEYA	KEYA	Access Con	Access Con	KEYB	KEYB
C1	C2	C3	read	Write	Read	write	read	Write
0	0	0	never	KEYA B	KEYA B	never	KEYA B	KEYA B
0	1	0	never	Never	KEYA B	never	KEYA B	Never
1	0	0	never	KEYB	KEYA B	never	never	KEYB
1	1	0	never	Never	KEYA B	never	never	Never
0	0	1	never	KEYA B	KEYA B	KEYA B	KEYA B	KEYA B
0	1	1	never	KEYB	KEYA B	KEYB	never	KEYB
1	0	1	never	Never	KEYA B	KEYB	never	Never
1	1	1	never	Never	KEYA B	never	never	Never

Note: KEY A|B means KEY A or KEY B;

never means can't perform the function.

Access condition for the Data Blocks

C1	C2	C3	Read	Write	Increment	decr, transfer, restore
0	0	0	KEYA B	KEYA B	KEYA B	KEYA B
0	1	0	KEYA B	Never	Never	Never
1	0	0	KEYA B	KEYB	Never	Never
1	1	0	KEYA B	KEYB	KEYB	KEYA B
0	0	1	KEYA B	Never	Never	KEYA B
0	1	1	KEYB	KEYB	Never	Never
1	0	1	KEYB	Never	Never	Never
1	1	1	Never	Never	Never	Never

Table 4-1 FM11RF32N Access condition for the Data Blocks



5. Data Integrity

Following mechanisms are implemented in the contactless communication link between RWD and card to ensure very reliable data transmission:

- Anti-collision
- 16 bit CRC per block
- parity bits for each byte
- Bit count checking
- Bit coding to distinguish between “1”, “0”, and no information
- Channel monitoring (Protocol sequence and bit stream analysis)



6. Security

The FM11RF32N Card has high security: 3 Pass Authentication must be through before read/write operation. Each card has different Serial Numbers, Crypto-Data transfer, Key Transfer and Access Key Protection which guarantee the uniqueness of each card.

Keys in the cards are read protected but can be altered by who knows the actual key. There are 48 sectors in the card, each sector has own keys (Key A, Key B). Two different keys for each sector support systems using key hierarchies, so FM11RF32N offers real multi-application functionality.



Revision History

Version	Publication date	Pages	Paragraph or Illustration	Revise Description
1.0	Apr.2012	15		Initial Release.
1.1	Sep.2013	15	Sales and service	1. Updated the legal disclaimer 2. Updated the address of sales and service



Sales and Service

Shanghai Fudan Microelectronics Group Co., Ltd.

Address: Bldg No. 4, 127 Guotai Rd,
Shanghai City China.

Postcode: 200433

Tel: (86-021) 6565 5050

Fax: (86-021) 6565 9115

Shanghai Fudan Microelectronics (HK) Co., Ltd.

Address: Unit 506, 5/F., East Ocean Centre, 98 Granville Road, Tsimshatsui East, Kowloon, Hong Kong

Tel: (852) 2116 3288 2116 3338

Fax: (852) 2116 0882

Beijing Office

Address: Room 423, Bldg B, Gehua Building,
1 QingLong Hutong, Dongzhimen Alley north Street,
Dongcheng District, Beijing City, China.

Postcode: 100007

Tel: (86-010) 8418 6608

Fax: (86-010) 8418 6211

Shenzhen Office

Address: Room.1301, Century Bldg, No. 4002, Shengtingyuan Hotel, Huaqiang Rd (North),
Shenzhen City, China.

Postcode: 518028

Tel: (86-0755) 8335 0911 8335 1011 8335 2011 8335 0611

Fax: (86-0755) 8335 9011

Shanghai Fudan Microelectronics (HK) Ltd Taiwan Representative Office

Address: Unit 1225, 12F., No 252, Sec.1 Neihu Rd., Neihu Dist., Taipei City 114, Taiwan

Tel : (886-2) 7721 1889

Fax: (886-2) 7722 3888

Shanghai Fudan Microelectronics (HK) Ltd Singapore Representative Office

Address : 237, Alexandra Road, #07-01 The Alexcier, Singapore 159929

Tel : (65) 6472 3688

Fax: (65) 6472 3669

Shanghai Fudan Microelectronics Group Co., Ltd NA Office

Address :2490 W. Ray Road Suite#2

Chandler, AZ 85224 USA

Tel : (480) 857-6500 ext 18

Web Site: <http://www.fmsh.com/>