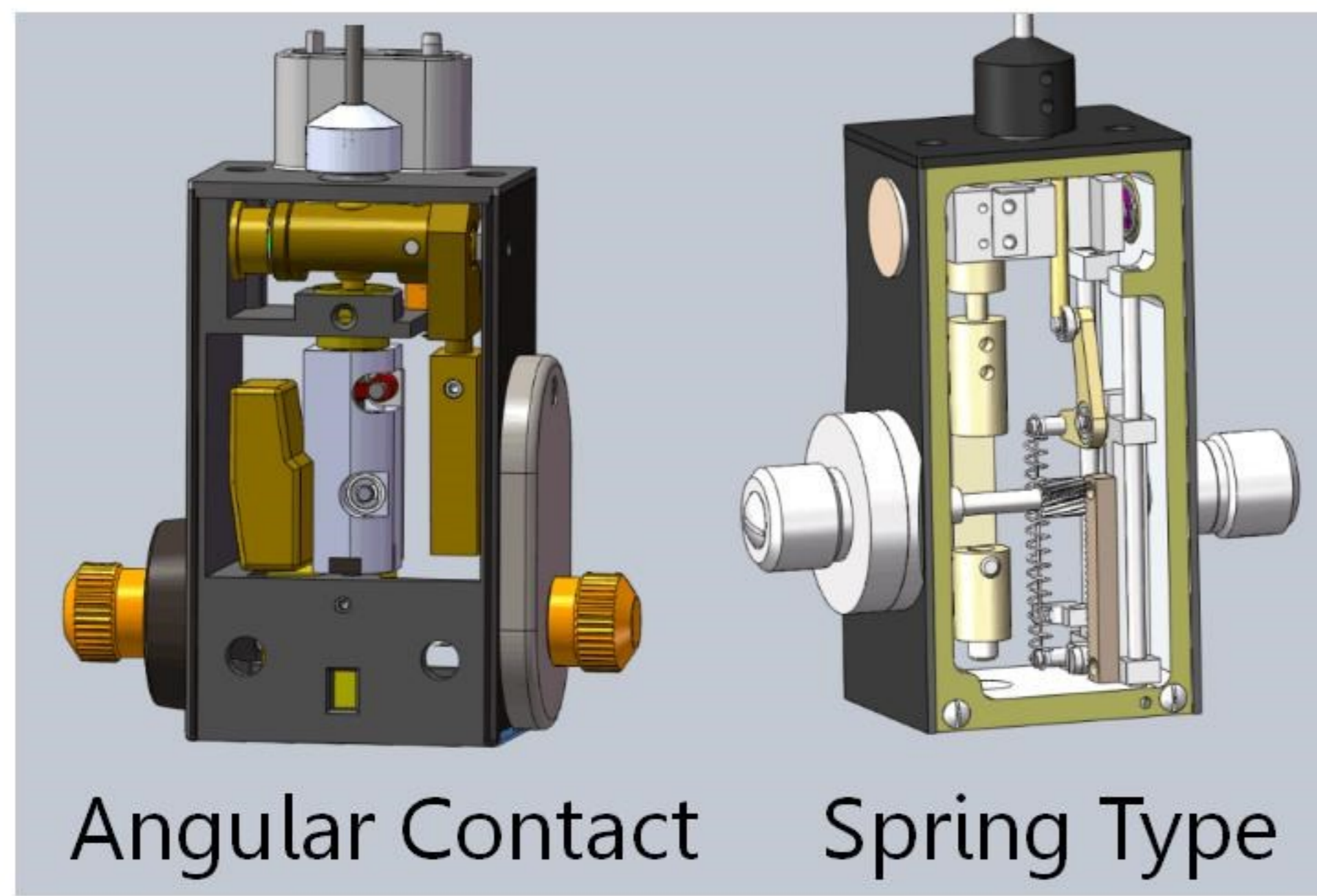


APPLANATION TONOMETER SK-R/T/Q

High Accurate Design
Three Connection Types



Digital Display
Mechanical Reading



Angular Contact

Spring Type

■ HIGH ACCURATE DESIGN

Angle contact type eccentric gravity balance design
Higher measurement accuracy, longer service life

■ TWO MODE READING

Digital display + mechanical reading can be freely
chosen according to user habits

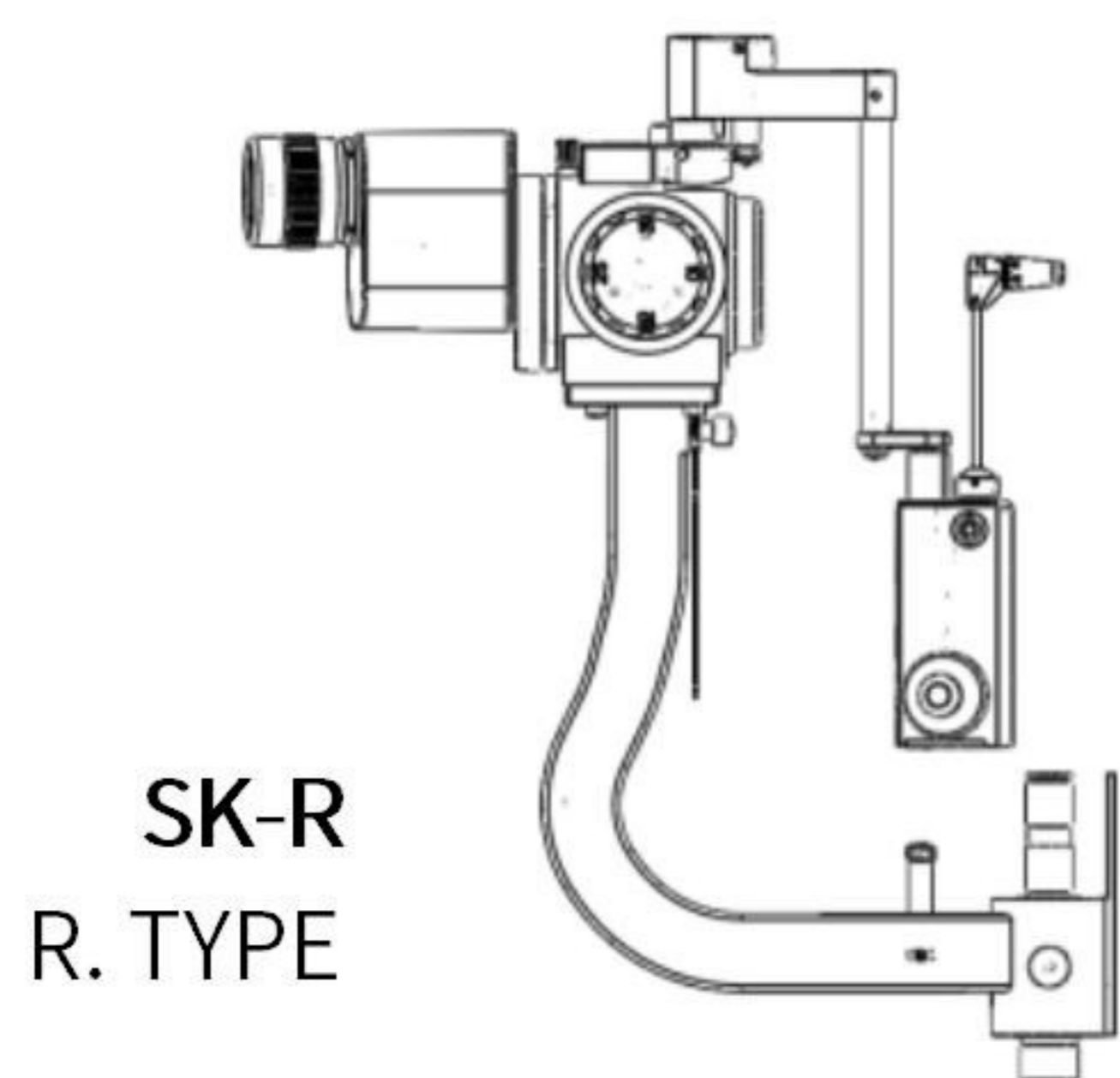
■ MEASUREMENT SWITCHING

Kpa, mmHg

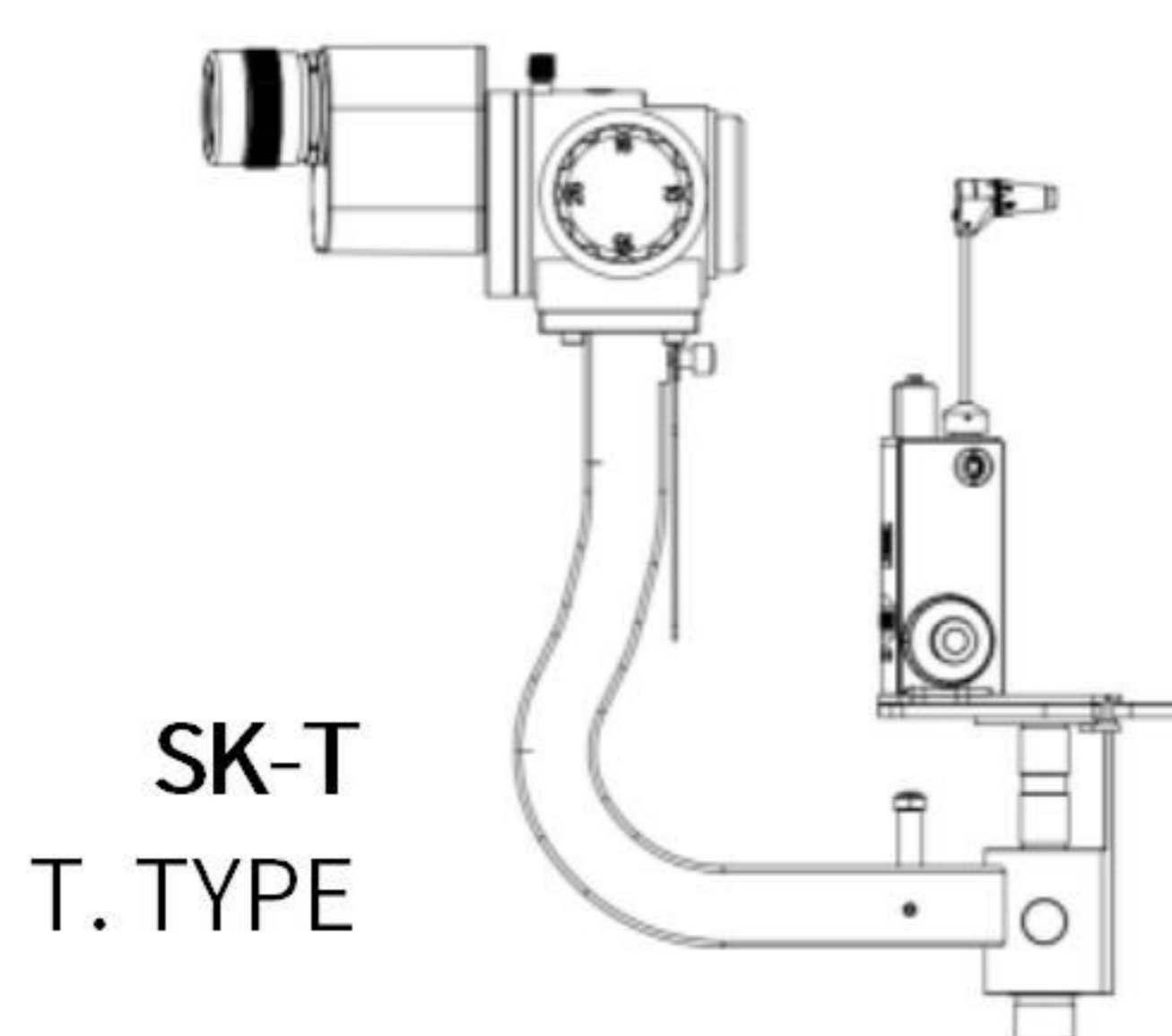
■ MEASUREMENT DATA LOCKING

■ AUTO SLEEP

■ OVERLIMIT ALARM



SK-R
R. TYPE



SK-T
T. TYPE



SK-Q
Available for
Haag-streit, LS-7 series

SPECIFICATION

Measurement Accuracy	$\leq 0.49\text{mN}$ (0.066kpa) or amounts to a maximum of $\pm 1.5\%$ of the nominal value
Digital Display Accuracy	$\leq 0.1\text{mmHg}$
Measurement Range	0-80mmHg (0-10.64kpa)
Volume Change of Eyeball	$\leq 0.56\text{mm}^3$
Area of Measuring Prisms Surface	7.354mm^2
Diameter of Corneal Applanation Surface	3.06mm
Area of Corneal Applanation Surface	7.354mm^2
Probe Movement Range	3mm
Continuous Working	≥ 30 Hours
Power Supply	3V, Button Battery
Net Weight	Approx. 450g
Dimension	$78\text{mm} \times 57\text{mm} \times 172\text{mm}$



ChongQing Sunkingdom Medical Instrument Co., Ltd.

Head office: Room 12, Floor 10, Block A of China Resource Center, Jiulongpo District, Chongqing 400050, China
URL: en.cqsunkingdom.com
E-mail: sales@cqsunkingdom.com

FAX: +86 23 68102793
Tel: +86 23 68643990