

# TECHNICAL DATA

## SOLAR LIGHT TOWER



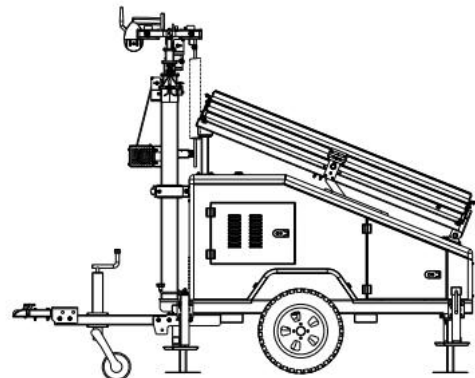
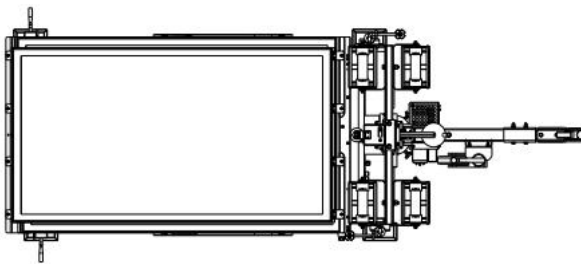
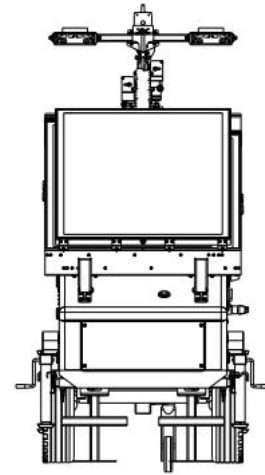
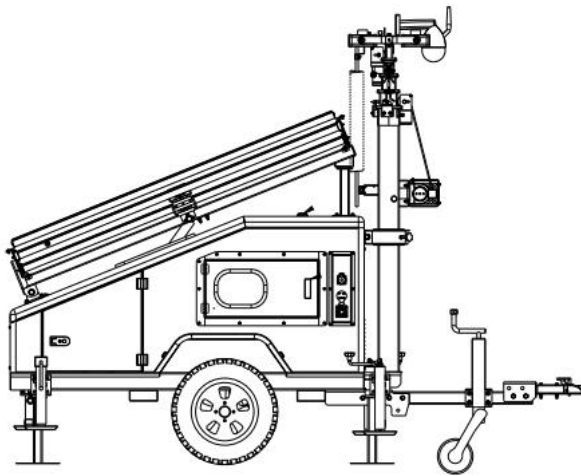
MPMC POWERTECH CORP.

SOLAR

## HSL-2500B

### Features

The solar light towers take the advantages of solar renewable energy and LED light systems on the road. Ideal for special events, construction sites, security and any other application where on-demand lighting is desired. This system provides cost-effective bright white LED lighting without all of the disadvantages inherent to diesel lighting systems – high operating costs (diesel fuel, maintenance, labor) as well as carbon emissions, noise, fumes and light pollution.



#### Dimension

|                           |                          |
|---------------------------|--------------------------|
| Model                     | HSL-2500B                |
| Expanding Dimensions      | 3750*5410*7500mm (LxWxH) |
| Loading Dimensions        | 2860*1350*2458mm (LxWxH) |
| Weight                    | 1140 kg                  |
| Loading Capacity in 40 HQ | 4 units                  |

#### General Specification

|                               |           |
|-------------------------------|-----------|
| Rated voltage                 | DC24V     |
| Rated Power (LED Lamp)        | 4 × 250W  |
| Solar System Charge Time      | 4.0 Hours |
| Lighting Discharge Time       | 8 Hours   |
| Standby Generator Charge Time | 5.0 Hours |

| Solar Panel                   |  |
|-------------------------------|--|
| Maximum Power ( Pmax )        | 500W   |
| Maximum Power Voltage(Vmp)    | 42.8V  |
| Maximum Power Current ( Imp ) | 11.69A   |
| Power Tolerance               | 0/+5 W   |
| Dimension                     | 2176*1098*35mm(L*W*H)                              |
| Lifting angle                 | Fixed 30°  |
| Extending type                | Sliding  |
| Extending area                | 12m <sup>2</sup>                                   |
| Quantity                      | 5pcs   |
| Battery Bank                  |  |
| Type                          | LFP battery  |
| Model                         | 120AH 25.6V  |
| Voltage                       | 25.6V (One battery)                                |
| Maximum Charging Current      | 60A  |
| Quantity                      | 3pcs   |
| LED Lamp                      |  |
| Input Voltage                 | DC24V  |
| LED Power                     | 250W   |
| Light Beam Angle              | 60°  |
| LED Luminous Efficiency       | 155lm/w  |
| Correlated Color Temperature  | 5000K  |
| Protection Class              | IP67   |
| Quantity                      | 4pcs   |
| Solar Charging & Inverter     |  |
| Model                         | UP3000-HM10022                                     |
| Nominal battery voltage       | 24VDC  |
| Battery input voltage         | 21.6~32VDC   |
| Max. battery charging current | 100A   |
| Inverter output               |  |
| Continuous output power       | 3000W  |
| Max. surge power              | 6000W  |
| Output voltage range          | 220VAC(-6%~+3%);230VAC(-10%~+3%)                   |
| Output frequency range        | 50/60Hz±0.2%                                       |
| Output wave                   | Pure sine wave                                     |
| Load power factor             | 0.2-1(Load power factor ≤ Continuous output power) |
| Distortion THD                | THD≤3%(Resistive load)                             |
| 80% rated output efficiency   | 92%  |
| Max. rated output efficiency  | 91%  |

|                                    |  |
|------------------------------------|--|
| Max. output efficiency             | 93%  |
| Utility charging                   |  |
| Utility input voltage              | 176VAC~264VAC (Default);90VAC~280VAC (Programmable)  |
| Utility input frequency            | 40~65Hz  |
| Max. utility charge current        | 80A  |
| Solar charging                     |  |
| Max. PV open circuit voltage       | 450V(At minimum temperature);395V(25°C)  |
| MPPT voltage range                 | 80~350V  |
| Max. PV input power                | 4000W  |
| Max. PV charging power             | 2875W  |
| Max. PV charging current           | 100A   |
| Equalize charging voltage          | 29.2V(AGM default)   |
| Boost charging voltage             | 28.8V(AGM default)   |
| Float charging voltage             | 27.6V(AGM default)   |
| Low voltage disconnect voltage     | 21.6V(AGM default)   |
| Tracking efficiency                | ≥99.5%   |
| Temperature compensate coefficient | -3mV/°C/2V (Default)   |
| Operating temperature range        | -20°C~50°C (When the working temperature reaches 30°C or above, the load power is reduced appropriately; full load working is not supported) |
| Enclosure                          | IP30   |
| Quantity                           | 1pcs   |
| <b>Trailer</b>                     |  |
| Model                              | B1200 (On road)  |
| Loading Capacity                   | 1200kg   |
| Pulling Speed                      | ≤60km/h  |
| Tire and Rim Size                  | 185R14C  |
| Drawing Bar                        | Ball Type  |
| Stablished Supports                | 4 * Manual   |
| <b>Mast</b>                        |  |
| Mast Type                          | Electric   |
| Maximum Lifting Heigh              | 7.5m   |
| Mast Rotation                      | 355°   |
| Surface spraying                   | Galvanized   |
| <b>Option</b>                      |  |
| Backup Genset                      | Gas or Diesel , 3KW  |
| Cameras                            | WIFI or 4G type  |

## Contact Us

### MPMC POWERTECH CORP.

Add:3rd Floor,Building 1,Powerlong City Plaza Pudong Shanghai China

Tel: +86 21 60970158 Fax: +86 21 60970155

E mail : [sales@mpmc-china.com](mailto:sales@mpmc-china.com)

Web site : [www.mpmc-china.com](http://www.mpmc-china.com)



MPMC reserves the right to make changes in model, technical specification, color, configuration and accessories without prior notice.

Please contact the salesman before ordering.

DISTRIBUTED BY:

©2022 by MPMC, All right reserved.

