

# TECHNICAL DATA

## SOLAR LIGHT TOWER



MPMC POWERTECH CORP.

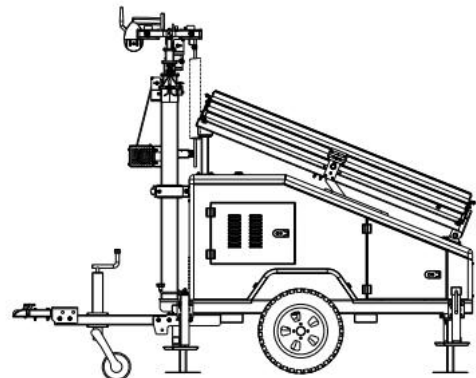
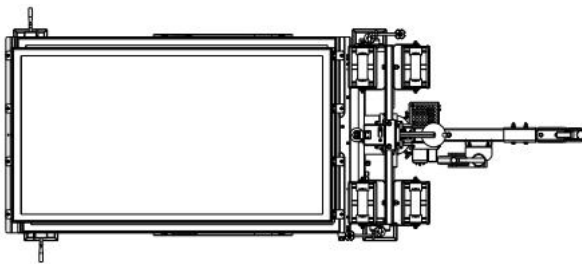
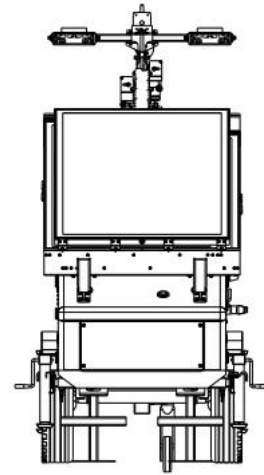
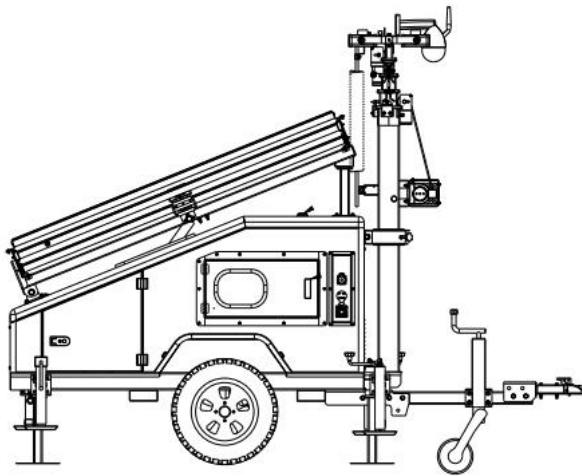
SOLAR

HSL Series

## HSL-1000A

### Features

The solar light towers take the advantages of solar renewable energy and LED light systems on the road. Ideal for special events, construction sites, security and any other application where on-demand lighting is desired. This system provides cost-effective bright white LED lighting without all of the disadvantages inherent to diesel lighting systems – high operating costs (diesel fuel, maintenance, labor) as well as carbon emissions, noise, fumes and light pollution.



#### Dimension

Model	HSL-1000A
Expanding Dimensions	3400*2950*7500 mm (LxWxH)
Loading Dimensions	2384*1150*2458 mm (LxWxH)
Weight	740 kg
Loading Capacity in 40 HQ	10 units

#### General Specification

Rated voltage	DC24V
Rated Power (LED Lamp)	4 × 100W
Solar System Charge Time	6 Hours
Lighting Discharge Time	8 Hours
Standby Generator Charge Time	6 Hours

Solar Panel	
Maximum Power ( Pmax )	335W
Maximum Power Voltage(Vmp)	37.6V
Maximum Power Current ( Imp )	8.91A
Power Tolerance	0/+5 W
Dimension	1988*992*40mm(L*W*H)
Lifting angle	Fixed 30°
Extending type	Sliding
Extending area	5.2m <sup>2</sup>
Quantity	3pcs
Battery Bank	
Type	Lead-acid battery
Model	200AH 12V
Voltage	12V (One battery)
Maximum Charging Current	50A
Quantity	2pcs
LED Lamp	
Input Voltage	DC24V
LED Power	100W
Light Beam Angle	60°
LED Luminous Efficiency	160lm/w
Correlated Color Temperature	5000K
Protection Class	IP67
Quantity	4pcs
Solar Charging Controller	
Model	SD2430S
Manufacturer	LDSOLAR
Rated Current	30A
Rated Voltage	24V
Floating Charge Voltage	27.6V
Self-power Consumption	<20mA
Ambient Temp range	-20 to +50°C
Dimension	200×98×47.5mm
Weight	440g
Type of Protection	IP32
Battery Charging Control	Stop Charging Voltage: 28V
Protection Function	Under Voltage / Overload / Short Circuit
Display Function	Battery Charging and discharging condition

Light Load Model	Settable Load Model a) 24 hours working b) b) Working hours setting c) c) 12hours working at night only
<b>Trailer</b>	
Model	B900 (Off road)
Loading Capacity	900kg
Pulling Speed	≤25km/h
Tire and Rim Size	165R13
Drawing Bar	Ball Type
Stablished Supports	4 * Manual
<b>Mast</b>	
Mast Type	Electric
Maximum Lifting Heigh	7.5m
Mast Rotation	355°
Surface spraying	Galvanized
<b>Option</b>	
Backup Genset	Gas or Diesel , 1~3KW for option
Battery Charger	AC220V—DC24V , 15~45A for option
Inverter	2~5KW for option
Cameras	WIFI or 4G type

## Contact Us

### MPMC POWERTECH CORP.

Add:3rd Flood,Building 1,Powerlong City Plaza Pudong Shanghai China

Tel: +86 21 60970158 Fax: +86 21 60970155

E mail : [sales@mpmc-china.com](mailto:sales@mpmc-china.com)

Web site : [www.mpmc-china.com](http://www.mpmc-china.com)



MPMC reserves the right to make changes in model, technical specification, color, configuration and accessories without prior notice.

Please contact the salesman before ordering.

DISTRIBUTED BY:

©2022 by MPMC, All right reserved.



ISO9001:2008  
MPMC Generating Sets

