

[SECURITY CODE 832266]

GLOBAL EXPERT OF MOBILE HYBRID ENERGY SOLUTIONS WITH WORLDWIDE SERVICE



34000 sqm plant



FIRST class materials



ADVANCED powder coating facilities



100% load testing

Headquarter | Factory | USA branch | UAE branch | UK branch

Headquarter Add: 3rd Floor, Building 1, Powerlong City Plaza, No.2449 Jinhai Rd., Pudong, Shanghai 201209, China.
Factory Add: No.1199 Fazhan Ave., Haimen Port New Area, Jiangsu 226156, China.

www.mpmc-china.com sales@mpmc-china.com
Whatapp: +86-15000854420

Copyright © 2019 MPMC All Rights Reserved.



www.mpmc-china.com

Solutions for RENTAL & MINING



INTERCHANGEABLE

SO SERIES



CLASSIC DESIGN,
ESSENCE RESTORED

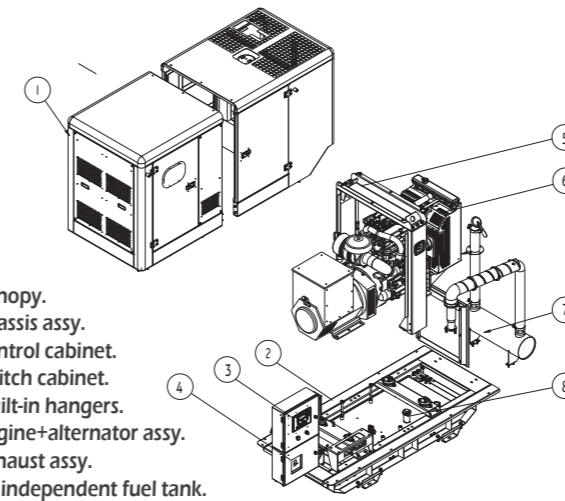
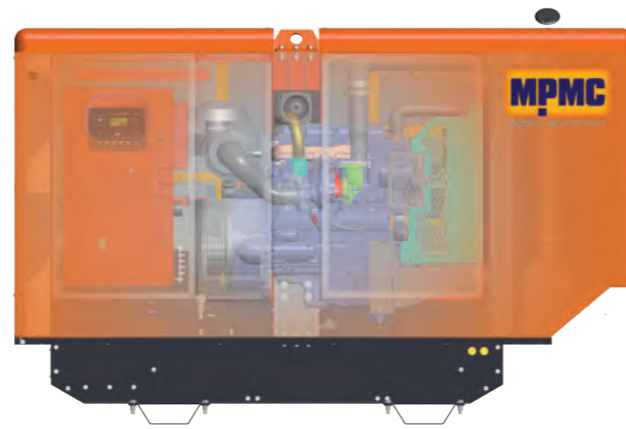
MORE
POWER
MORE
CONFIDENCE

GENSETS

**Open type / silent type are INTERCHANGEABLE.
Much easier for stock**

SO / SERIES

The **UNIVERSAL DESIGN** of the open type and silent type generator can meet the requirements for preparing the warehouse and improving the delivery time; it can be made according to the open type generator, and the canopy can be installed directly according to the customer's demand, which improves the planning execution of the production and improves the delivery rate.



MODULAR DESIGN, the model can be used in different brand of engine and alternator with similar power range, the aggregate on the generator is highly versatile.

MP Series

Perkins with Stamford / Mecc alte / MPMC LYG / Leroy Somer

MC Series

Cummins with Stamford / Mecc alte / MPMC LYG /TAL

Feature

TOP 7

SAVE EFFORT

No welding at all, easy to dismantle and assemble.

ECONOMICAL

More loading quantity after dismantlement.

NO LEAKAGE

Integrated full bunded fuel tank.

LOW MATERIAL COST

The structure of the generator is economical and compact.

DURABLE

Powder coating, 3 years warranty.

OPTIMIZED DESIGN

Noise level less than 70dB@ 7m.

SAFE

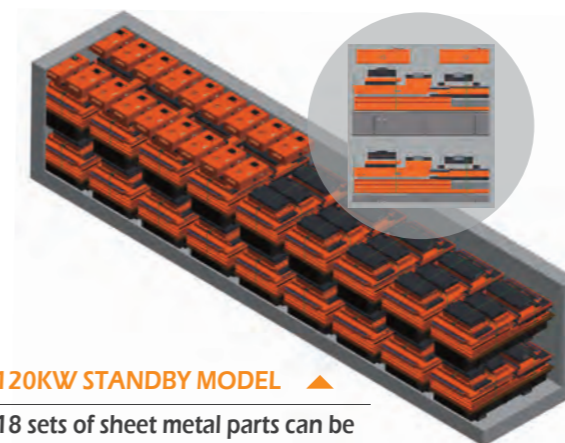
With earth leakage protection.

External emergency stop, can be very convenient to expand the parallel function of the generator, quick plug connection output function and ATS connection function.

RANGE: 10-800KVA

FREQUENCY: 50HZ / 60HZ

Separate canopies available Package drawing



120KW STANDBY MODEL ▲

18 sets of sheet metal parts can be loaded in 40' GP

SEPARATE CANOPY AND BASE AVAILABLE

Different parts in flat packages to save transportation fee