

### Calculating formula for door panel

#### Single-side folding door system

Small panel width= $\{\text{Door opening width} - 61 - (N-1) \times 21 - 30\} \div \{(N \times 2) - 1\} + 30$

Length of upper&bottom door frame of small panel= small panel width-40

Big panel width=(small panel width-30) x2

Length of upper/bottom door frame of big panel= big panel width-40

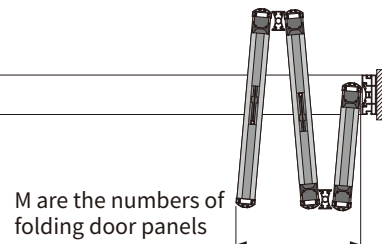
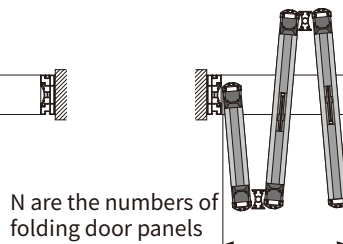
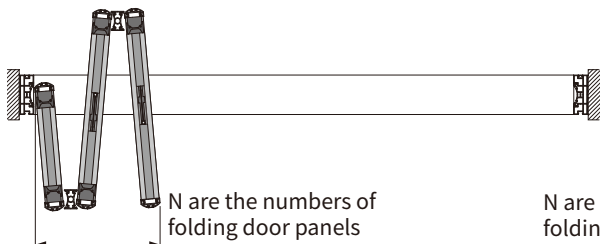
#### Synchronized folding door system

Small panel width= $\{\text{Door opening width} - 61 - (N+M-2) \times 21 - 74\} \div \{(N+M-1) \times 2\} + 30$

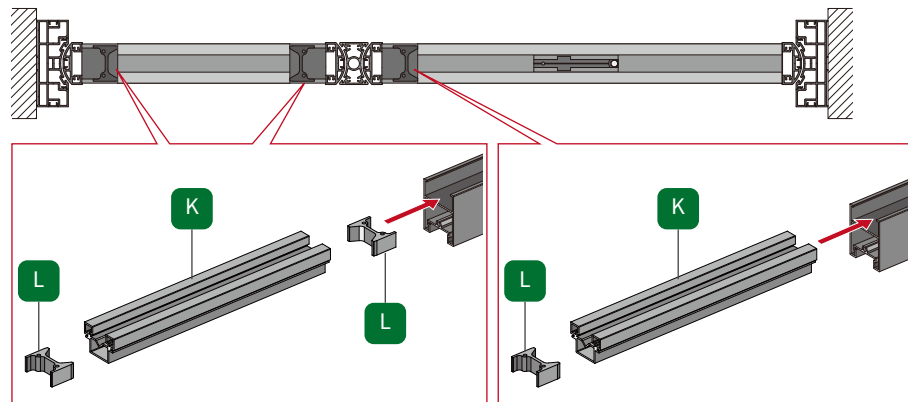
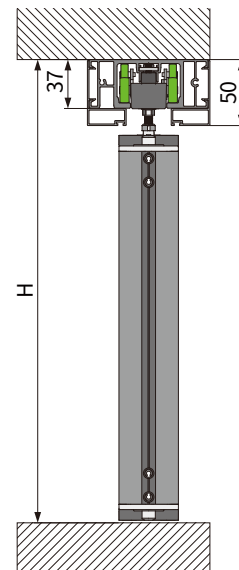
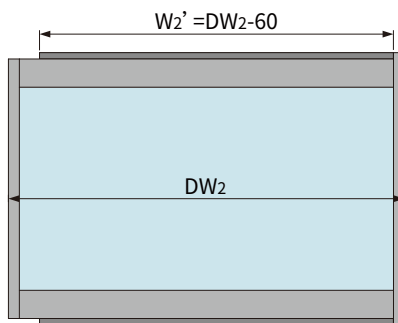
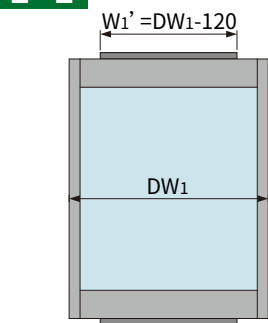
Big panel width=(small panel width-30) x2

Vertical frame height=Door opening width-91 (when the panel with handle-65)

Middle horizontal frame=Door opening width-81

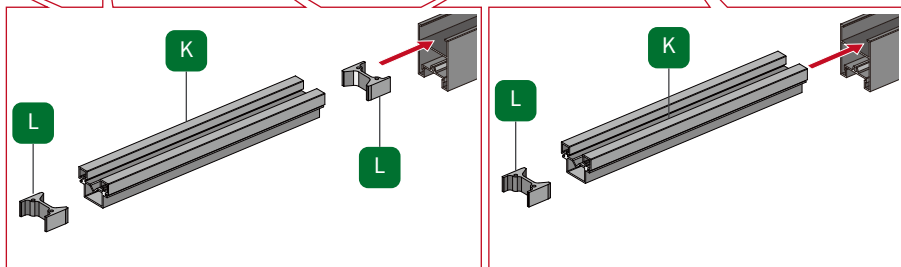
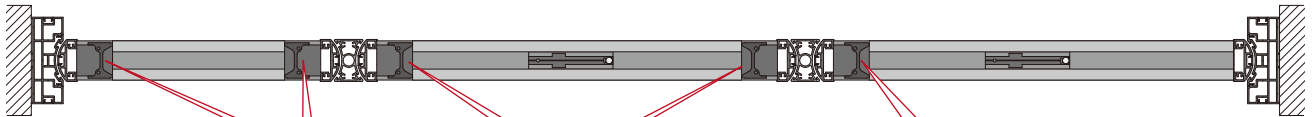
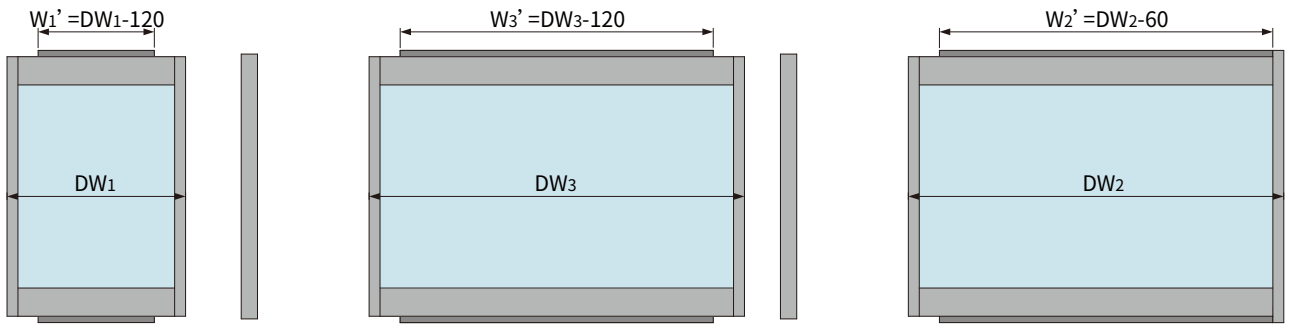


### 1+1



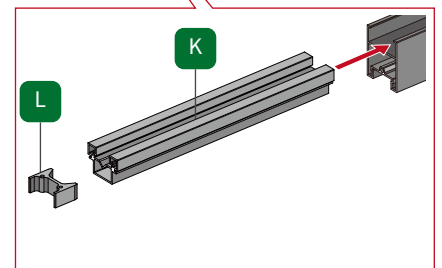
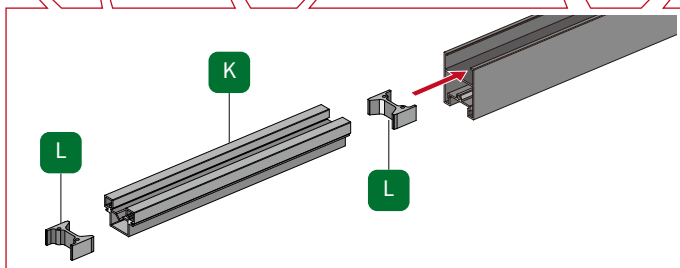
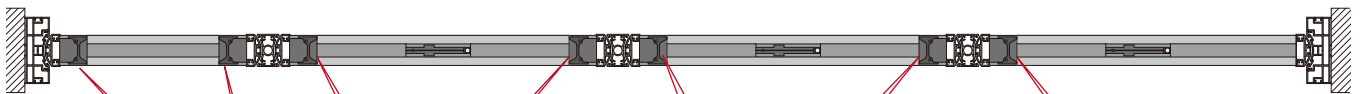
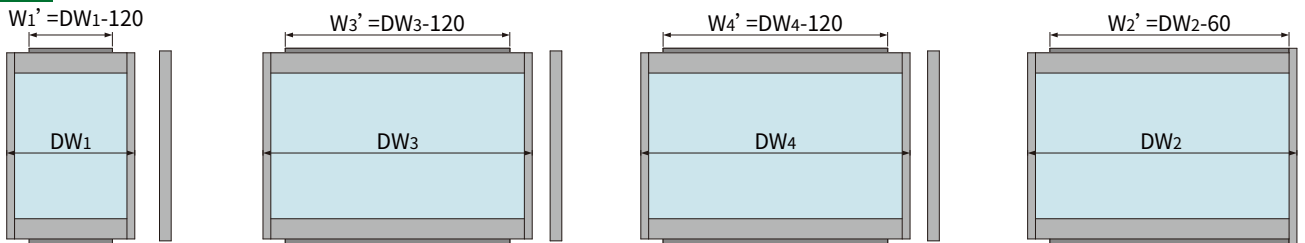
**!** Install this fitting to the upper& bottom frame before splicing door frame

1+2



**!** Install this fitting to the upper & bottom frame before splicing door frame

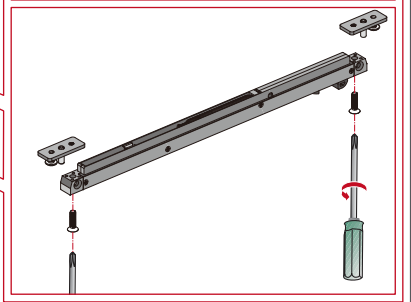
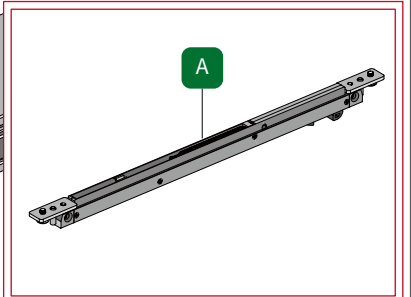
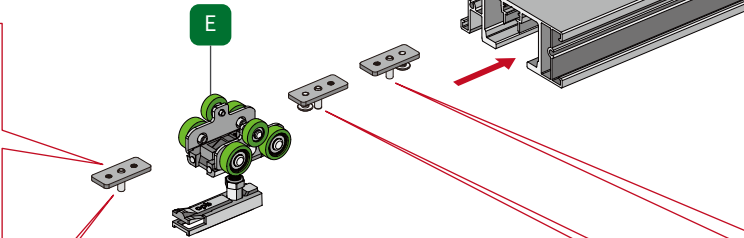
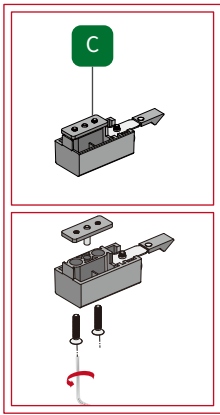
1+3



**!** Install this fitting to the upper & bottom frame before splicing door frame

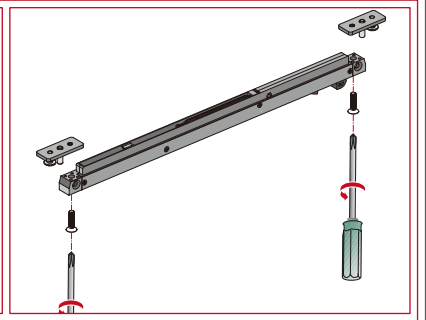
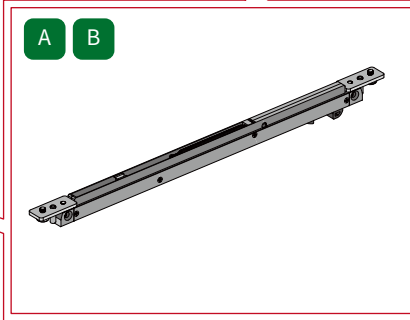
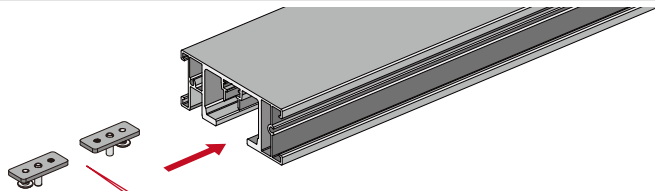
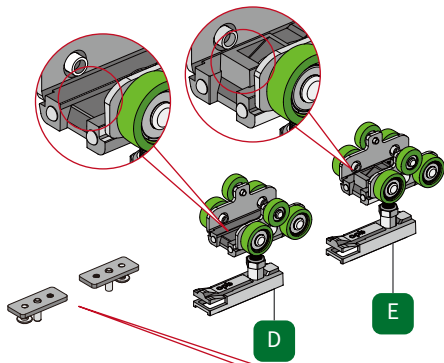
**1** Install the fittings on the track

**1+1**



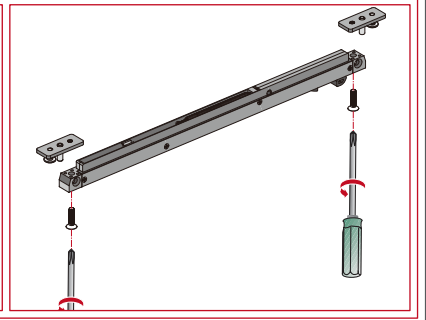
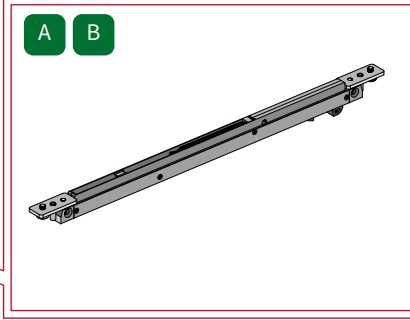
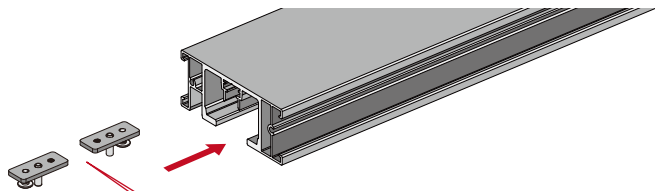
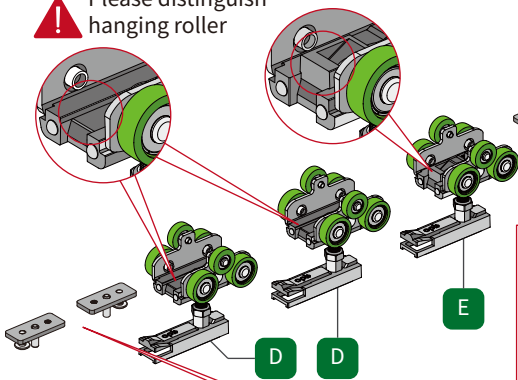
**1+2**

**!** Please distinguish hanging roller

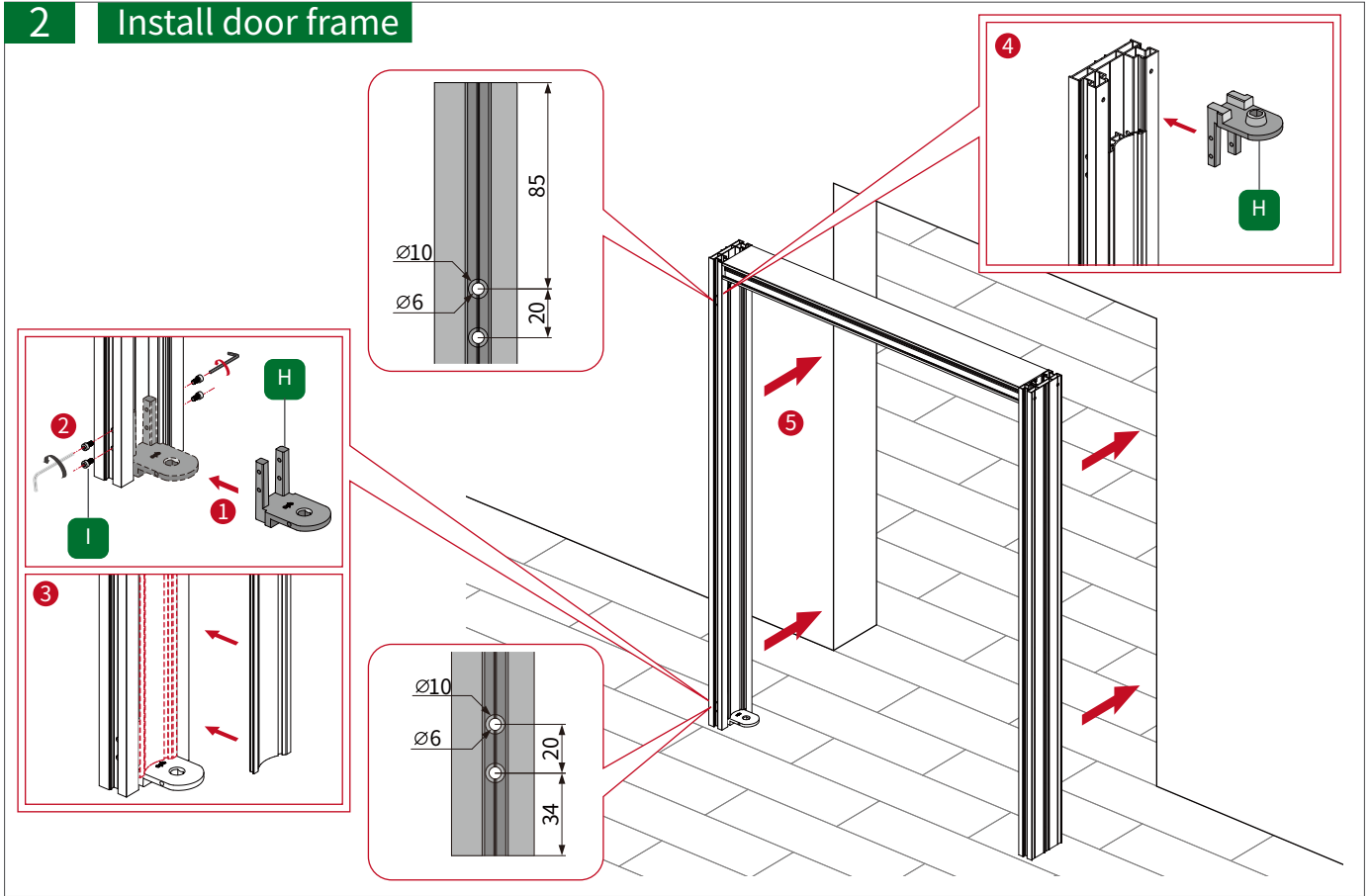


**1+3**

**!** Please distinguish hanging roller

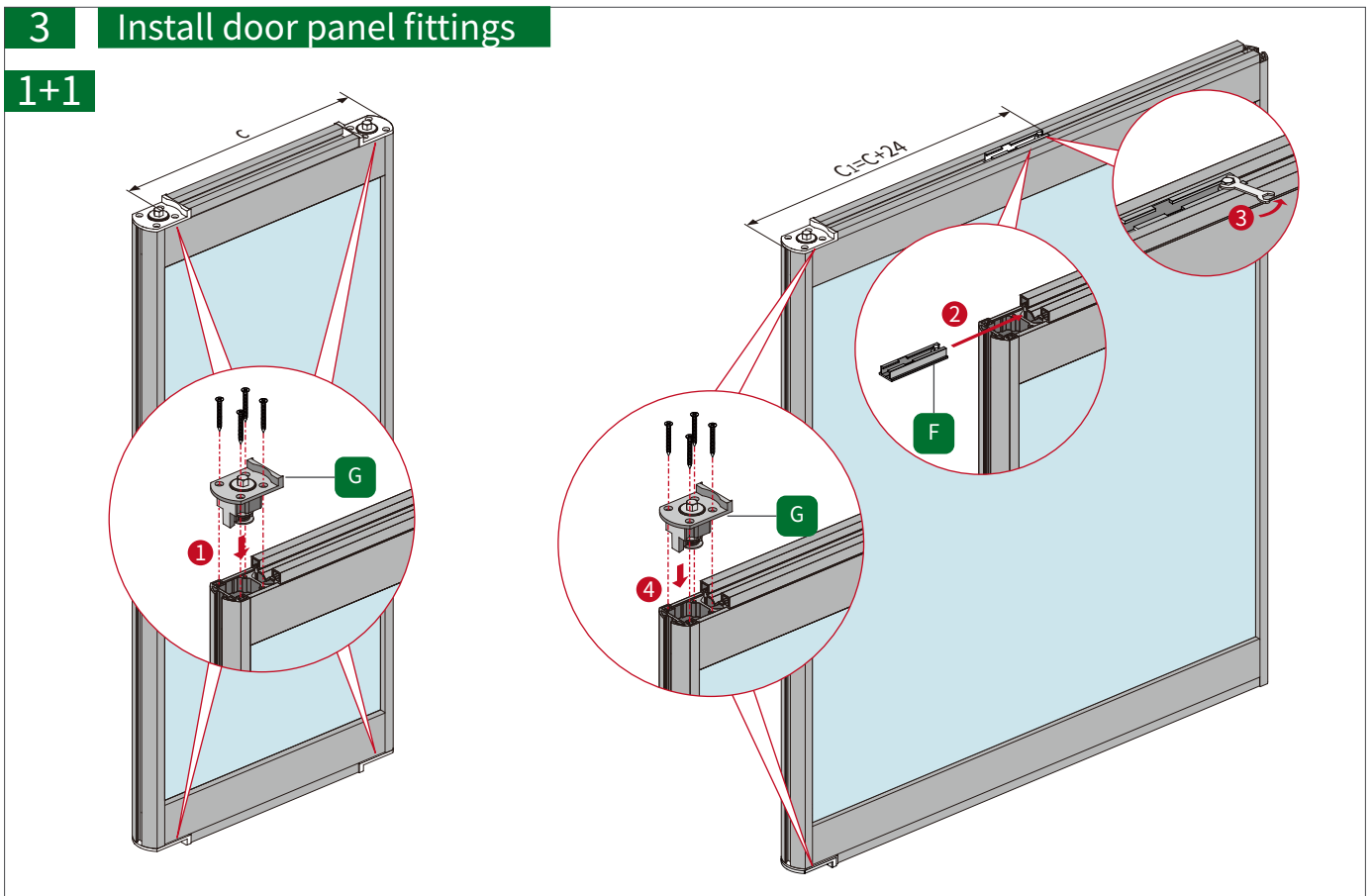


## 2 Install door frame

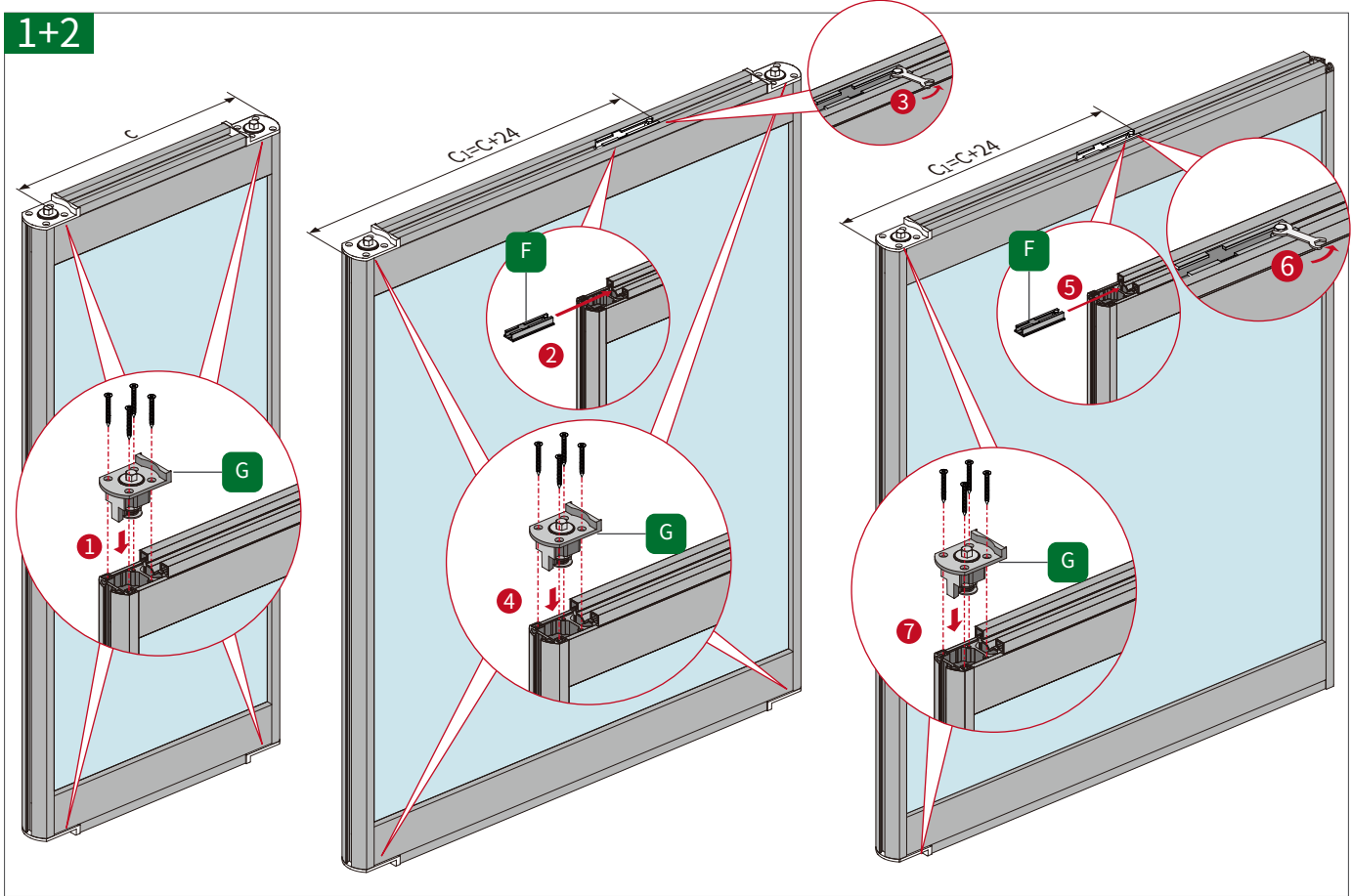


## 3 Install door panel fittings

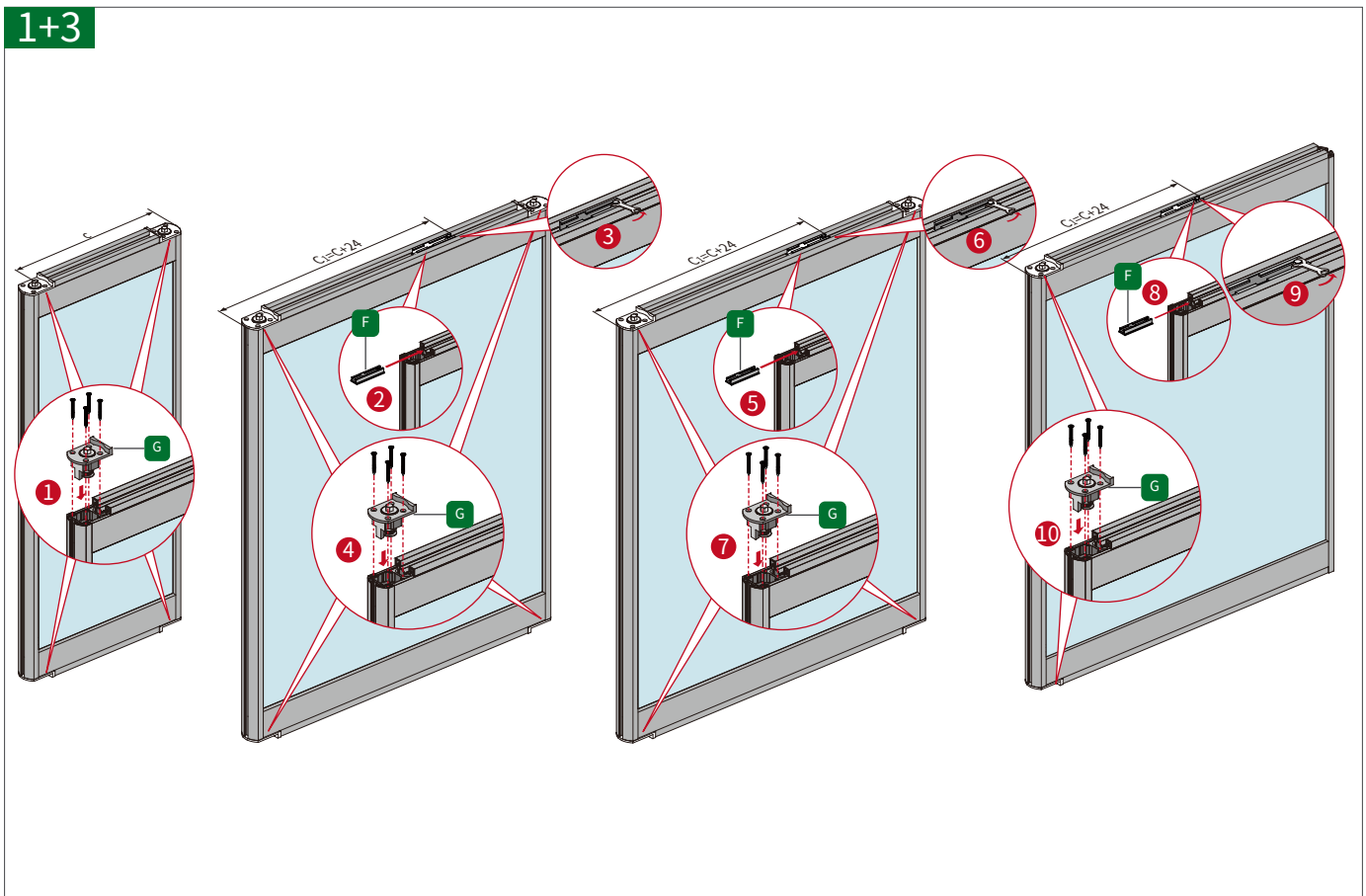
1+1



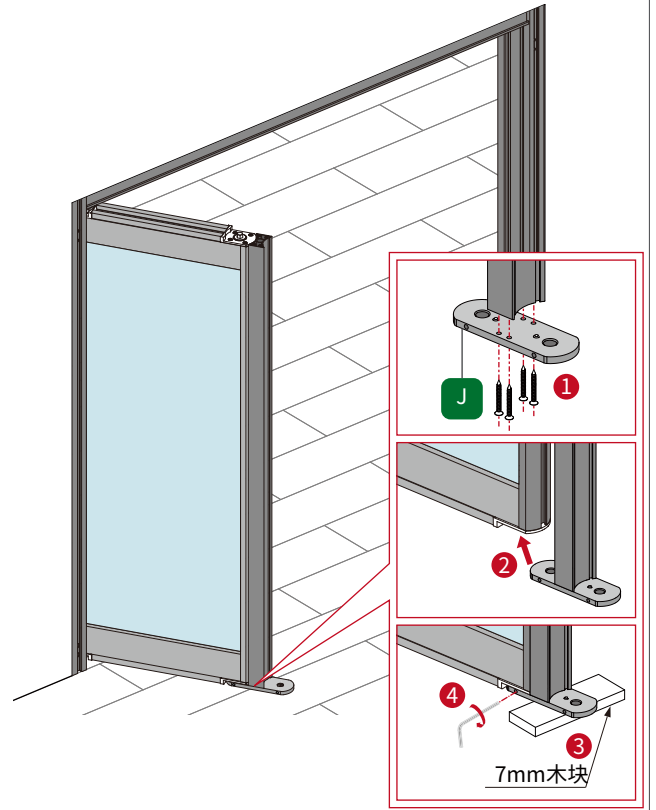
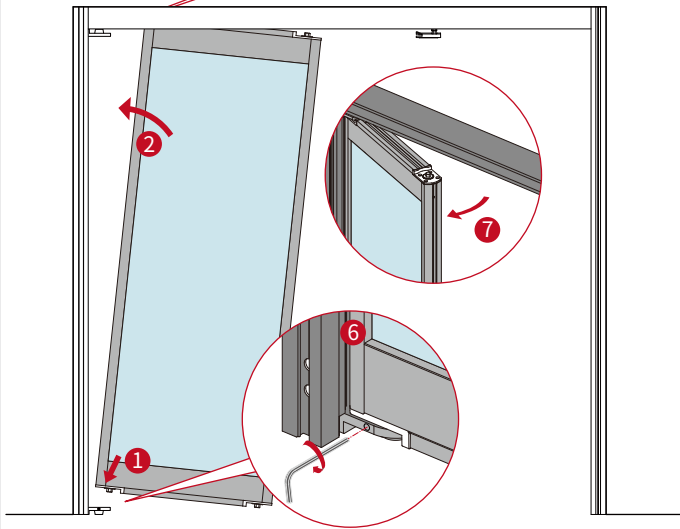
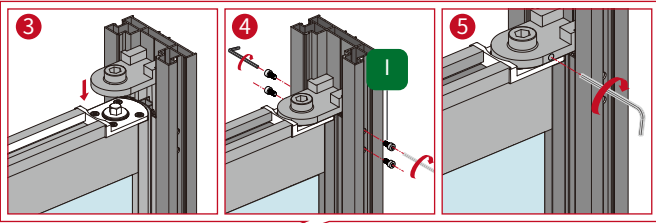
1+2



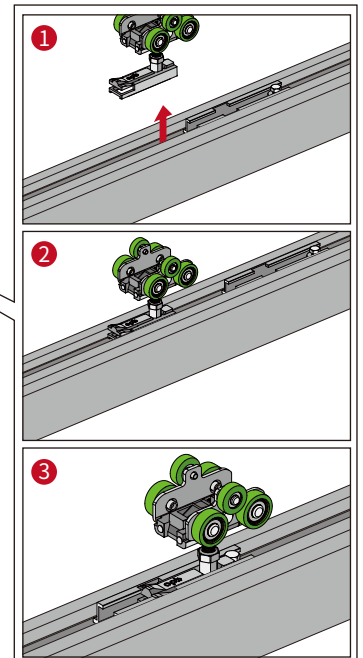
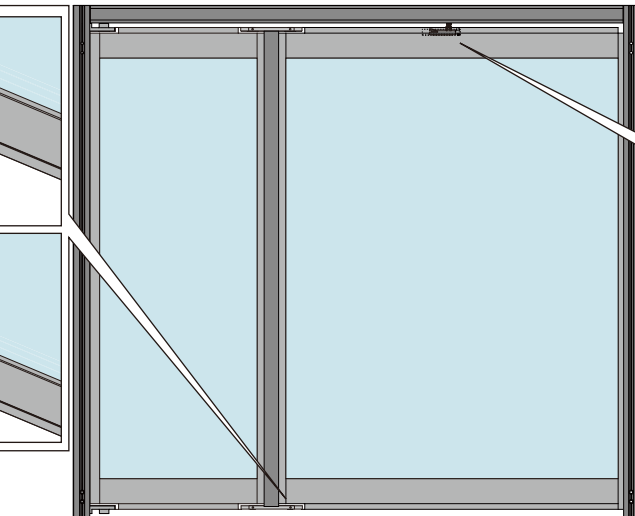
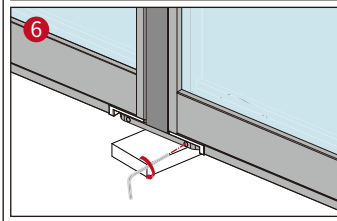
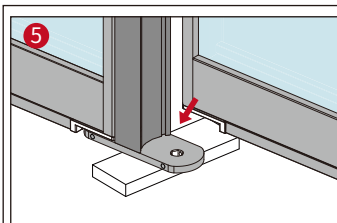
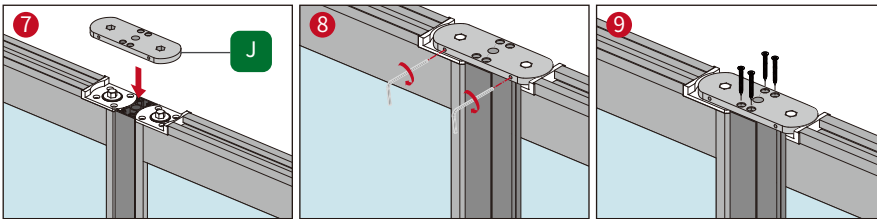
1+3



## 4 Install door panel

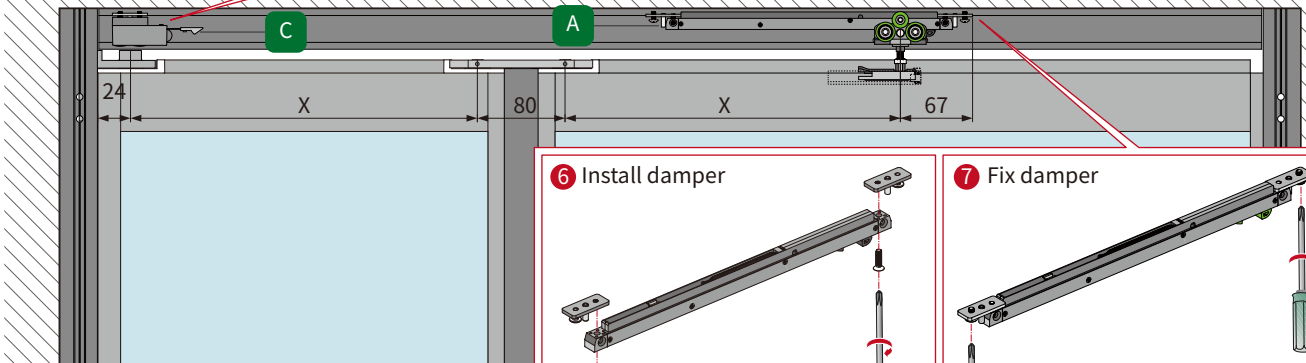
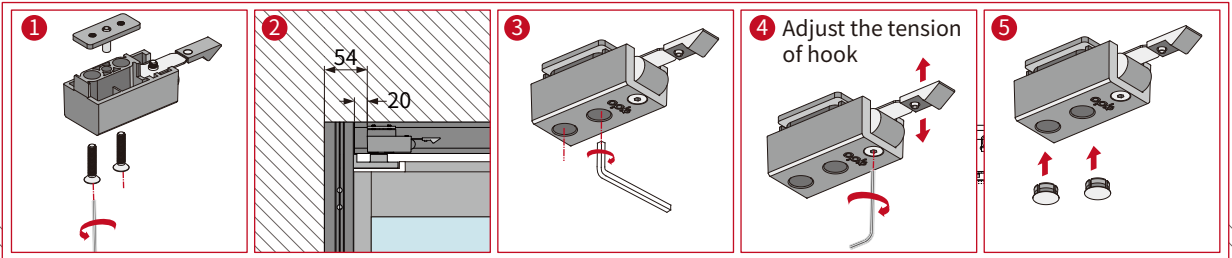


## 5

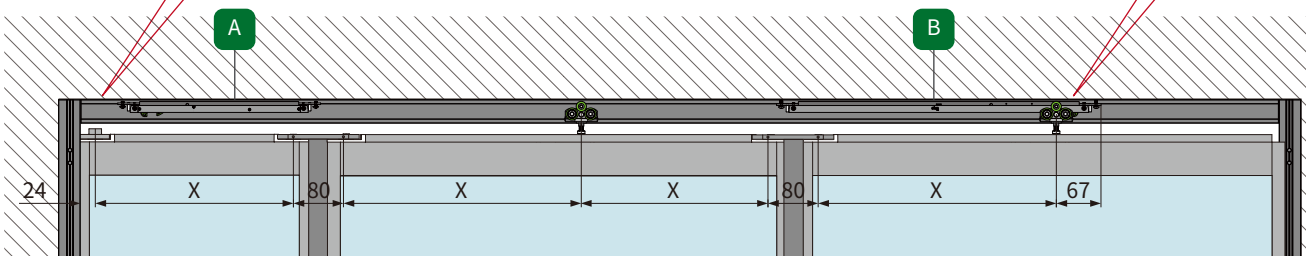
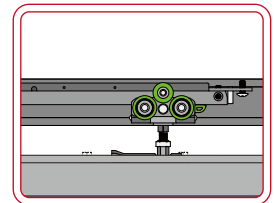
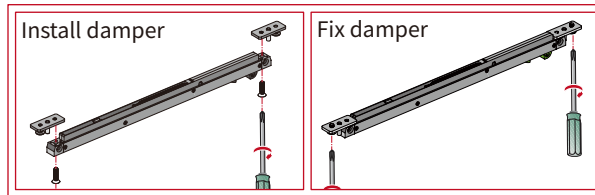
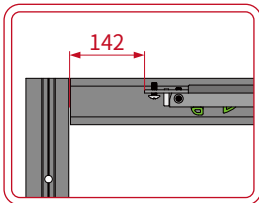


**6** Fix the activator

**1+1**



**1+2**



**1+3**

