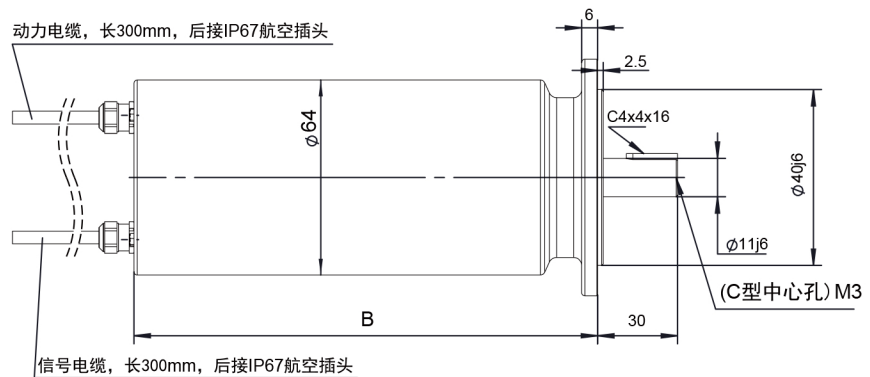
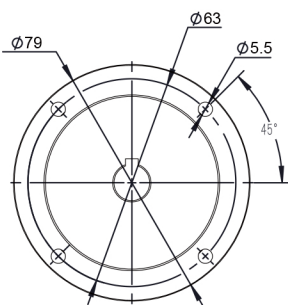


# PASL063 Stainless Steel Series



Model		PASL063-E00260H	PASL063-E00360H	PASL063-E00460H
Stall Torque	Nm	0.35	0.60	0.87
Stall Current	A	0.66	0.89	1.35
Operating Voltage	VAC	380-480	380-480	380-480
Rated Power	KW	0.18	0.23	0.28
Rated Torque	N.m	0.29	0.36	0.44
Rated Speed	Rpm	6000	6000	6000
Rated Current	A	0.55	0.54	0.68
Maximum Torque	N.m	1.34	2.68	4.02
Maximum Current	A	2.7	4.3	6.6
Moment Of Inertia	Kgm <sup>2</sup>	0.09(0.14)	0.17(0.22)	0.25(0.30)
Length		L1	L2	L3

## Dimensions



	B(without brake) (mm)	B(with brake) (mm)
L1	143	173
L2	168	198
L3	193	223