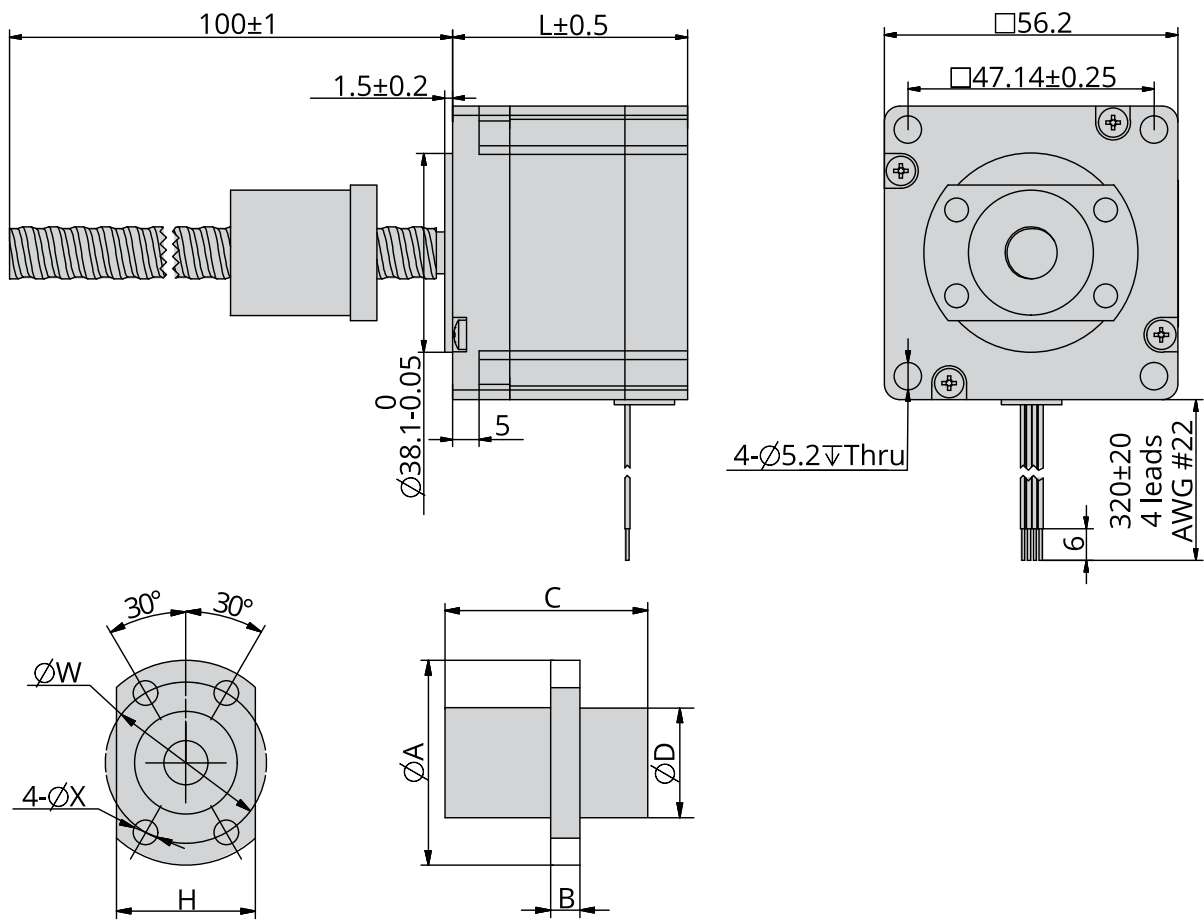


PHBS57 Series

Electrical Parameter

Model NO.	Rated Voltage	Current	Resistance	Inductance	Lead Wire	Motor Length
	V/∅	A/∅	Ω/∅	mH/∅	Pin	mm
PHBS57E45-4S20	3.5	2.0	1.75	4.1	4	45
PHBS57E45-4S30	2.4	3.0	0.8	1.7	4	45
PHBS57E65-4S25	5.0	2.5	2.0	5.2	4	65
PHBS57E65-4S40	2.8	4.0	0.7	2.0	4	65

Typical Dimension



PHBS57 Series

■ Ball Screw Specification

Ball screw type	BS1002	BS1004	BS1005	BS1010	BS1015	BS1020	BS1202	BS1210						
Ball size	Φ1.5875	Φ2.0	Φ2.0	Φ2.0	Φ2.0	Φ1.5875	Φ1.5875	Φ2.381						
Number of thread	1	1	1	2	2	4	1	2						
Thread direction	Right													
Shaft root dia.	Φ8.6	Φ8.2	Φ8.2	Φ8.4	Φ8.4	Φ8.7	Φ10.6	Φ10.2						
Number of circuit	3.7×1	2.7×1	2.7×1	1.6×1	1.6×2	0.7×4	3.7Á1	1.7 x 2						
Shat, nut material	SCM415H													
Surface hardness	HRC58~62													
Anti-rust treatment	Anti-rust oil													
Nut size	A	B	C	D	H	W	X	E	Grade	Position accuracy	Total run out	Axial play	Dynamic load(N)	Static load(N)
BS1002	40	5	24	23	25	32	4.5		C7	±0.05	0.12	≤0.03	2700	5300
BS1004	41	5	28	24	26	33	4.5		C7	±0.05	0.12	≤0.03	3000	5200
BS1005	40	5	26	23	25	32	4.5		C7	±0.05	0.12	≤0.03	3000	5200
BS1010	40	5	24	23	25	32	4.5	6	C7	±0.05	0.12	≤0.03	3300	5900
BS1015	40	5	33	23	25	32	4.5	6	C7	±0.05	0.12	≤0.03	3300	6400
BS1020	37	5	23	20	22	29	4.5	5	C7	±0.05	0.12	≤0.03	2100	4000
BS1202	42	5	24	25	27	34	4.5		C7	±0.05	0.12	≤0.03	3000	6400
BS1210	41	5	30	24	26	33	4.5	9.5	C7	±0.05	0.12	≤0.03	5100	9800

- 2Phase Hybrid Stepper Motor
- 3Phase Hybrid Stepper Motor
- 5Phase Hybrid Stepper Motor
- Hybrid Stepper Gear Motor
- Lead Screw Linear Actuator
- Ball Screw Linear Actuator
- IP65 Stepper Motor
- Hollow Shaft Stepper Motor
- Stepper Motor With Brake
- Pancake Stepper Motor
- PM Stepper Motor
- Can-Stack Stepper Linear Actuator
- PM Stepper Gear Motor
- Stepper Motor Drive

PHBS57 Series

Size 23 (57mm) Speed Thrust Curves

