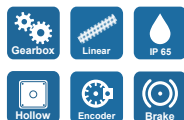


**PHB57S Series**

● **Key Features**

- High Torque
- Smooth Movement
- High Speed

● **Option**



Step Angle	1.8°
Step Angle Accuracy	±5% (full step, no load)
Resistance Accuracy	±10%
Inductance Accuracy	±20%
Temperature Rise	80 °C Max.(rated current, 2 phase on)
Ambient Temperature	-20 °C ~ +50 °C
Insulation Resistance	100 MΩ Min., 500VDC
Dielectric Strength	500 VAC for one minute
Shaft Radial Play	0.02 Max. (450 g-load)
Shaft Axial Play	0.08 Max. (450 g-load)

● **Specifications**

- Bi-polar

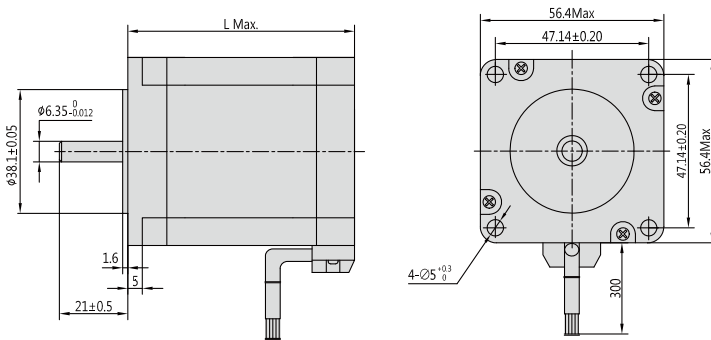
Series & Length	Model Number	Holding Torque		Rated Current	Resistance per phase	Inductance per phase	Detent Torque		Rotor Inertia	
		N.cm	oz-in				N.cm	oz-in	g.cm <sup>2</sup>	oz-in <sup>2</sup>
PHB57S41 41mm	PHB57S41-412	55	77	0.62	12	24	2.5	3.5	150	0.825
	PHB57S41-420	55	77	2.0	1.2	2.5	2.5	3.5	150	0.825
PHB57S45 45mm	PHB57S45-406	80	112	0.62	12	26	2.8	3.92	190	1.045
	PHB57S45-425	80	112	2.5	1.0	2.2	2.8	3.92	190	1.045
PHB57S51 51mm	PHB57S51-406	90	126	0.62	13	2.8	3.0	4.2	230	1.265
	PHB57S51-425	90	126	2.5	1.2	3.2	3.0	4.2	230	1.265
PHB57S56 56mm	PHB57S56-425	110	154	2.5	1.3	4.2	3.5	4.9	280	1.540
	PHB57S56-430	110	154	3.0	0.8	2.4	3.5	4.9	280	1.540
	PHB57S56-404	110	154	4.2	0.4	1.2	3.5	4.9	280	1.540
PHB57S64 64mm	PHB57S64-425	150	210	2.5	1.5	4.5	5.0	7	380	2.090
	PHB57S64-430	150	210	3.0	0.8	2.3	5.0	7	380	2.090
	PHB57S64-404	150	210	4.2	0.55	1.2	5.0	7	380	2.090
PHB57S76 76mm	PHB57S76-430	180	252	3.0	1.0	3.5	6.0	8.4	440	2.420
	PHB57S76-404	180	252	4.2	0.6	1.8	6.0	8.4	440	2.420
PHB57S100 100mm	PHB57S100-430	250	350	3.0	1.4	5.5	10	14	680	3.740
	PHB57S100-404	250	350	4.2	0.8	3.0	10	14	680	3.740
PHB57S112 112mm	PHB57S112-430	280	392	3.0	1.6	6.8	12	16.8	800	4.400
	PHB57S112-404	280	392	4.2	0.9	3.8	12	16.8	800	4.400

**PHB57S Series**

- Uni-polar

Series & Length	Model Number	Holding Torque		Rated Current	Resistance per phase	Inductance per phase	Detent Torque		Rotor Inertia	
		N.cm	oz-in	A	ohm	mH	N.cm	oz-in	g.cm <sup>2</sup>	oz-in <sup>2</sup>
PHB57S41 41mm	PHB57S41-601	40	56	1.0	5.2	5.5	2.8	3.92	150	0.825
PHB57S51 51mm	PHB57S51-601	70	98	0.8	6.8	9.2	3.0	4.2	230	1.265
PHB57S56 56mm	PHB57S56-601	90	126	1.5	3.2	5.5	3.5	4.9	280	1.540
PHB57S76 76mm	PHB57S76-601	140	196	1.5	4.5	7.8	6.0	8.4	440	2.420

**Mechanical Dimension**



Series	L	Mass
	mm (in.)	g (lb.)
PHB57S41	41 (1.61)	470 (1.04)
PHB57S45	45 (1.77)	520 (1.14)
PHB57S51	51 (2.01)	590 (1.30)
PHB57S56	56 (2.20)	680 (1.50)
PHB57S64	64 (2.52)	850 (1.87)
PHB57S76	76 (2.99)	1050 (2.31)
PHB57S100	100 (3.94)	1250 (2.75)
PHB57S112	112 (4.41)	1400 (3.08)

2Phase Hybrid Stepper Motor

3Phase Hybrid Stepper Motor

5Phase Hybrid Stepper Motor

Hybrid Stepper Gear Motor

Lead Screw Linear Actuator

Ball Screw Linear Actuator

IP65 Stepper Motor

Hollow Shaft Stepper Motor

Stepper Motor With Brake

Pancake Stepper Motor

PM Stepper Motor

Can-Stack Stepper Linear Actuator

PM Stepper Gear Motor

Stepper Motor Drive