



CQD15S-E

Electric Stand-up Reach Truck 1.5t

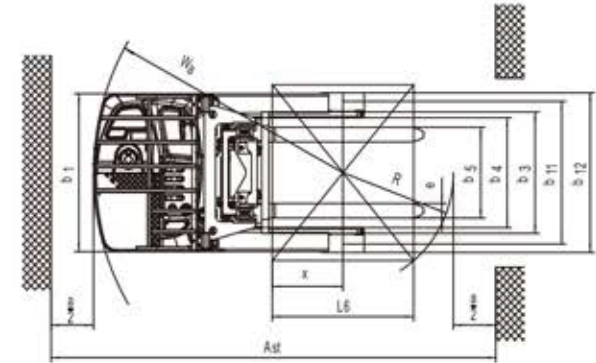
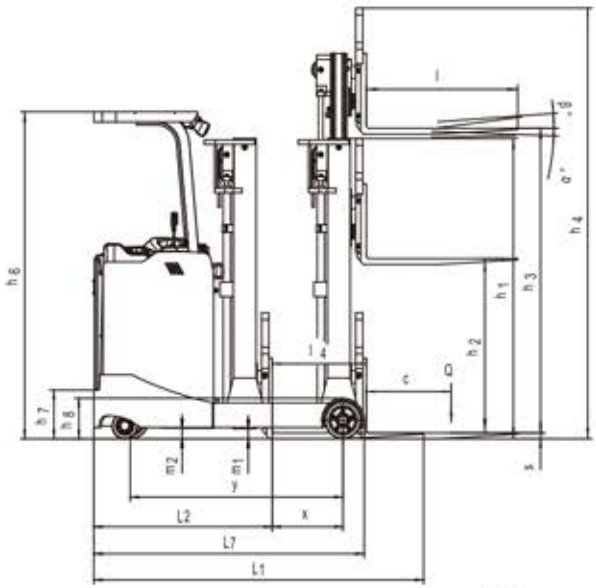
- Best Choice for Stacking in Narrow Aisles & High Racking;
- Stand-on Operation Provides Broader View;
- Electric Power Steering Control, Comfortable and Efficient;
- None-floating drive system, solid stable in high position

Electric Stand-up Reach Truck 1.5t CQD15S-E

Distinguishing mark				
1.1	Manufacturer		VIFT	
1.2	Model designation		CQD15S-E	
1.3	Drive unit		Electric	
1.4	Operator type		standing	
1.5	rated capacity	Q	t	1.5
1.6	Load center distance	c	mm	600
1.7	Wheelbase	y	mm	1490
Weight				
2.1	Service weight (include battery)		kg	2200 ^①
2.2	Axle loading, fork advanced, unladen driving side/loading side		kg	991/1230
2.3	Axle loading, fork retracted, unladen driving side/loading side		kg	1389/853
2.4	Axle loading, fork advanced, laden driving side/loading side		kg	260/3444
2.5	Axle loading, fork retracted, laden driving side/loading side		kg	1283/2416
Types,Chassis				
3.1	Tyre type driving wheels/loading wheels			PU
3.2	Tyre size, driving wheels (diameter×width)		mm	260×105
3.3	Tyre size, loading wheels (diameter×width)		mm	254×114
3.4	Tyre size, caster wheels (diameter×width)		mm	178×73
3.5	Wheels, number driving, caster/loading (x=drive wheels)			1, 2, 2
3.6	Track width, front,driving side	b ₁₀	mm	520
3.7	Track width,rear,loading side	b ₁₁	mm	974
Dimensions				
4.1	Tilt of mast/fork carriage forward/backward	α/β	°	2/4
4.2	Height, mast lowered	h ₁	mm	2050 ^②
4.3	Free lift (load backrest)	h ₂	mm	0 ^②
4.4	Lift height	h ₃	mm	3000 ^②
4.5	Height, mast extended	h ₄	mm	3860 ^②
4.7	Height of overhead guard (cabin)	h ₆	mm	2235
4.8	Seat height/standing height	h ₇	mm	335
4.10	Height of wheel arms	h ₈ (mm)	mm	280
4.19	Overall length (minimum)	l ₁	mm	2335 ^③
4.20	Length to face of forks	l ₂	mm	1265 ^③
4.21	Overall width	b ₁ /b ₂	mm	1078/1090
4.22	Fork dimensions	s/ e/ l	mm	40×100×1070
4.23	Fork carriage class/type A, B			A
4.24	Fork carriage width	b ₃	mm	830
4.25	Distance between fork-arms	b ₅	mm	200-620
4.26	Distance between wheel arms/loading surfaces	b ₄	mm	750
4.28	Reach distance	l ₄	mm	665 ^③
4.31	Ground clearance, laden, below mast	m ₁	mm	70
4.32	The minimum ground clearance of frame	m ₂	mm	70
4.34.1	Aisle width for pallets 1000 × 1200 crossways	Ast	mm	2745 ^③
4.34.2	Aisle width for pallets 800 × 1200 lengthways	Ast	mm	2770 ^③
4.35	turning radius	Wa	mm	1765
4.37	Length across wheel arms (exclusive fork)	l ₁	mm	1912
Performance data				
5.1	Travel speed, laden/ unladen		km/ h	8.5/9
5.2	Lifting speed, laden/ unladen		m/ s	0.26/0.45
5.3	Lowering speed, laden/ unladen		m/ s	0.45/0.43
5.4	Reaching speed, laden / unladen		m/ s	0.083
5.5	Max. gradeability, laden/unladen		%	8/10
5.6	Service brake type			Electromagnetic
5.7	Park brake type			Electromagnetic
Electric-engine				
6.1	Drive motor rating S2 60 min		kW	4
6.2	Lift motor rating at S3 15%		kW	8.2
6.3	The maximum allowed size battery		mm	1030×353×784
6.4	Battery voltage/nominal capacity K5		V/Ah	48V/300Ah ^④
6.5	Battery weight		kg	600 ^④
Addition data				
8.1	Type of drive unit			AC
10.5	Steering type			Electronic
10.7	Sound pressure level at the driver's ear		dB (A)	75

1.The parameters in the table are of the standard model. For more information please contact us.

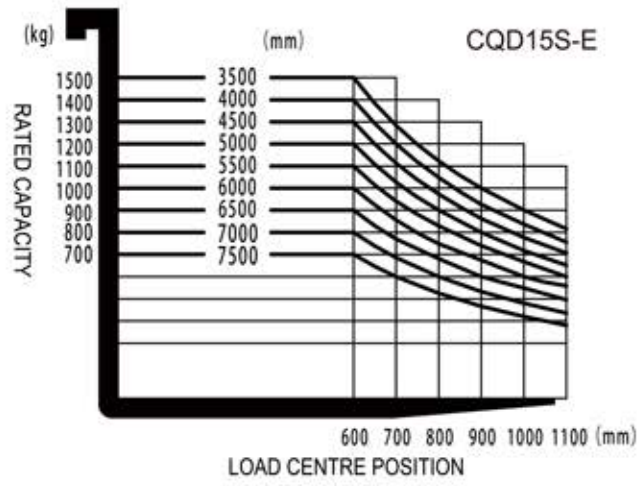
2.The parameters are subject to change without notice.



Option

Options	CQD15S-E
High capacity battery	o 300/345/360/420/450/465Ah
lateral battery change	o
Cold storage (Apply to -20°C)	o
Side shift	o
Front working light	o
Beeper	o
Fire extinguisher	o
Water auto-filling system	o

RATED CAPACITIES GRAPH



① Service weight (include battery)

Mast height (mm)	Service weight (kg)	Mast height (mm)	Service weight (kg)
2-stage mast		3-stage mast	
2700	2175	4000	2340
3000	2200	4500	2370
3300	2225	5000	2400
3640	2250	5500	2430
4000	2275	6000	2460
4300	2300	6500	2490
		7000	2520
		7500	2550

④ Battery

Capacity (Ah)	Battery weight (kg)
300	600
345	560
360	620
420	739
450	739
465	739

② Mast

without side shift					
CQD15S-E 2-stage mast					
Lift height	Lowered mast height	Extended mast height			
h3	h1	h4	h4(*)		
2700	1900	3560	3266		
3000	2050	3860	3566		
3300	2200	4160	3866		
3640	2370	4500	4206		
4000	2550	4860	4566		
4300	2700	5160	4866		

CQD15S-E 3-stage mast					
Lift height	Lowered mast height	Free lift		Extended mast height	
h3	h1	h2	h2(*)	h4	h4(*)
4000	1930	1060	1060	4860	4700
4500	2100	1240	1240	5360	5200
5000	2270	1400	1400	5860	5700
5500	2440	1580	1580	6360	6200
6000	2610	1740	1740	6860	6700
6500	2780	1920	1920	7360	7200
7000	2950	2080	2080	7860	7700
7500	3120	2260	2260	8360	8200

note:(*)for without backrest

with side shift					
CQD15S-E 2-stage mast					
Lift height	Lowered mast height	Extended mast height			
h3	h1	h4	h4(*)		
2700	1900	3735	3266		
3000	2050	4035	3566		
3300	2200	4335	3866		
3640	2370	4675	4206		
4000	2550	5035	4566		
4300	2700	5335	4866		

CQD15S-E 3-stage mast					
Lift height	Lowered mast height	Free lift		Extended mast height	
h3	h1	h2	h2(*)	h4	h4(*)
4000	1930	895	1060	5035	4700
4500	2100	1065	1240	5535	5200
5000	2270	1235	1400	6035	5700
5500	2440	1405	1580	6535	6200
6000	2610	1575	1740	7035	6700
6500	2780	1745	1920	7535	7200
7000	2950	1915	2054	8035	7700
7500	3120	2085	2234	8535	8200

note:(*)for without backrest

③ Dimensions(mm)

		without side shift		with side shift	
		2-stage mast	3-stage mast	2-stage mast	3-stage mast
Overall length (minimum)	l_1	2335	2357	2370	2392
Length to face of forks	l_2	1265	1287	1300	1322
Reach distance	l_4	665		630	
Aisle width for pallets 1000 × 1200 crossways	A_{st}	2745	2760	2763	2783
Aisle width for pallets 800 × 1200 lengthways	A_{st}	2770	2790	2801	2820
Aisle width for pallets 1000 × 1200 lengthways	A_{st}	2825	2843	2853	2872
Aisle width for pallets 800 × 1200 crossways	A_{st}	2635	2645	2651	2662

1.The parameters in the table are of the standard model. For more information please contact us.

2.The parameters are subject to change without notice.