

# Eyeglass Templet Machine

## INSTRUCTION MANUAL

• Cautions

1. The voltage must be matched with the machine (220V).

2. Clean the incision strip regularly.

3. Keep the surface of the machine tidy by rubbing it with

soft nap cloth regularly.

4. Do not operate around the place where there is high

temperature.



## PREFACE

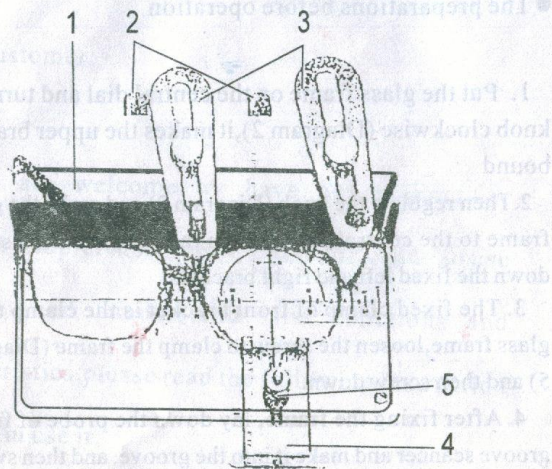
Dear Customer:

You are welcome to have our product — eyeglass templet machine of PM-9. In order to use properly and understand its functions and characteristics, please read the following instruction before you use it.

### ● The preparations before operation

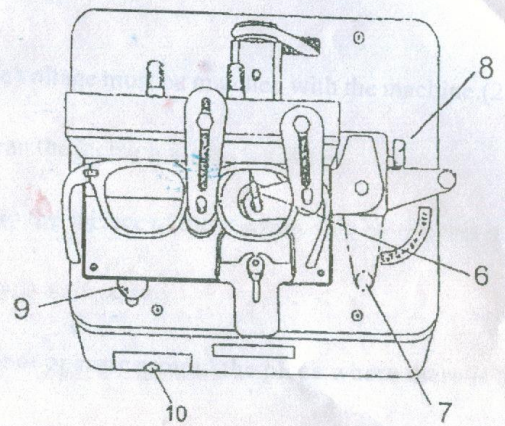
1. Put the glass frame on the central dial and turn the knob clockwise (Diagram 2), it makes the upper bracket bound
2. Then regulate the knob (Diagram 2) and make the glass frame to the central position on the dial, and then screw down the fixed left and right brackets.
3. The fixed clamp of front bracket is the clamp to fix glass frame, loosen the screw to clamp the frame (Diagram 5) and then screw down.
4. After fixing the frame, lay down the probe of frame groove scanner and make it into the groove, and then switch it onto CUYG and scan the groove to observe if everything is ready.
5. After getting everything ready, take out the templet and level the hole at the two needles of the machine, then switch onto ON and begin the incision.
6. About one minute later, the incision finishes, press the glass extraction knob (Diagram 9), the sample will bound automatically.



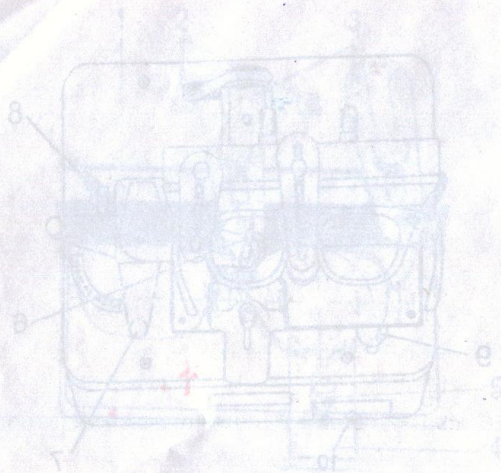


● Functions and characteristics

1. The back bracket of glass frame
2. The regulating knob
3. The fixed left and right brackets
4. The fixed pressing board of front bracket
5. The tightening screw



6. The probe of frame groove scanner
7. Switch
8. The regulating knob for the size of templet
9. The glass extraction knob
10. Drawer



● Functions and characteristics

1. The back bracket of the...
2. The groove of flame...
3. The switch...
4. The regulating knob for the size of the...
5. The glass extraction knob...
10. Driver

● Cautions

1. The voltage must be matched with the machine. (220V)
2. Clean the incision scraps regularly.
3. Keep the surface of the machine tidy by rubbing it with soft nap cloth regularly.
4. Do not operate around the place where there is high temperature.