

CENTER METER Operation Manual

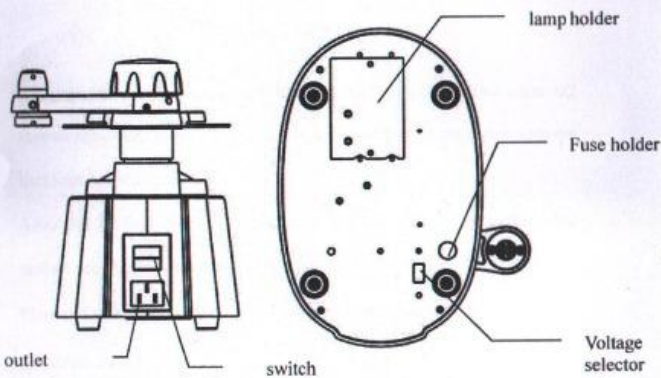
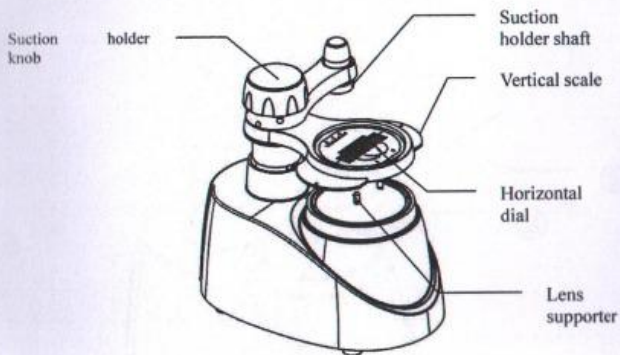


CONTENTS

1. Introduction	2
1.1 main component	2
1.2 main description	3
1.3 classification	3
1.4 attentions	3
2. Installation	4
2.1 the installation of vertical scale.....	4
3. Operation	5
3.1 Introduce the use of horizontal dial	5
3.2 Active and passive centering.....	5
3.3 install the suction cup.....	6
3.4 fix lens center.....	7
3.5 Demolition suction cup.....	8
4. Maintained	8

1 Introduce

1.1 main component



1.2 Main description

- Open observation window, the light through the convex lens image is projected directly on the dial, so that the operator more intuitive and easy to use instrument
- Equipped with LED light source, making images clearer.
- Rotary chuck mounting bracket, making the sucker fixed lens center more accurately.
- LED light source can intelligently select On or Off.
- Sucker holder shaft and unloading will be easier and more humane

1.3 Classification

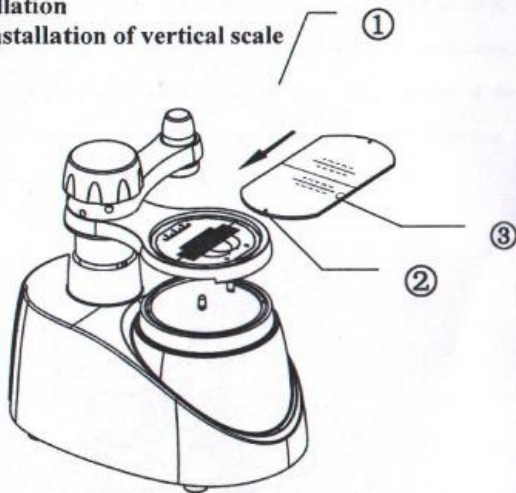
- Prevent electric shock: A class (ground)
- Installation Category: II
- Pollution index: none
- power: 20W
- voltage: AC110V/220V

1.4 Attentions

- When the dust on the surface in addition to a magnifying glass, you can not use alcohol and other chemical reagents, to avoid damage Magnifying glass; recommend using the LCD screen cleaner

2 Installation

2.1 the installation of vertical scale

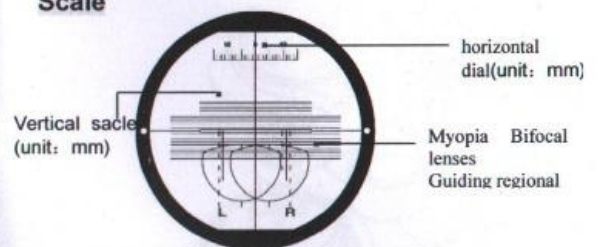


- Unwrap the vertical surface of the dial tear protective film ends M2 screws removed, and then slow down the direction of the arrow into the horizontal scale pan.
- After put Vertical dials away, and also let the ends of the vertical M2 screws secured to prevent slipping dial.
- Please check the vertical dial ③ Department gap to prevent wrong direction.

3 Operation

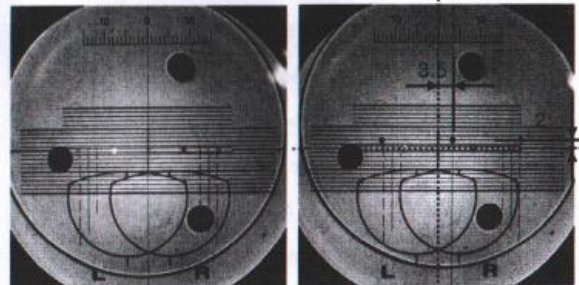
3.1 Introduce the use of horizontal dial

Scale



3.2 Active and passive centering

Centering in two ways: active and passive centering . Active centering is placed on the optical center of the lens; passive centering is placed on the lens of the "geometric center." The following is the active and passive centering :



[Active centering]

[passive centering]

Active Centering is easier than passive centering . However, active centering has some limitations, some special lenses has greater chance of error. Compare with the above picture summarizes the advantages and disadvantages between the two, can be seen: When the frame away from the center of the optical center, the active centering has a greater chance of error. Therefore, in this case, it is recommended to use passive centering

3.3 install the suction cup



- Plug the power cord into the back of the machine outlet, and turn on the power.
- Insert the sucker to sucker jack (please note the direction of insertion)

4

3.4 Fix lens center



- Made a mark to put the lens on the lens holder.
- According to the type of lens (bifocal, progressive lens) and the fixed center mode (optical center, geometric center), and adjust the scale to determine the position of the optical center.
- The LED light turns on automatically.
- Rotary switch knob, and then put the suction cup on the lens and complete centering work.
- Push the switch knob dials as much as possible close to the

lens, so the operator can be make optical illusion minimize .

3.5 Demolition suction cup



- After suck the lens release knob to make suction cup rise slowly.
- Turn the knob as shown, the LED light automatically turns off.
- Hand-pressed hat of suction cup, then the suction cup will release from the work

4 Maintained

- Replace the fuse specifications must be checked

Loosen the screw to remove the board to replace the lamp (1W LED)

